

GENERAL TECHNICAL INFORMATION

Dual-function transforming system with horizontal foldaway double bed with slatted bed base.

Folding mechanism with visible gas springs, mounted to the structure, with devices that remain perfectly locked in both positions of use. The bed rests on metal feet, which protrude from the bed base in the opening phase.

Adam is also available in the version with folding desk top and foldaway legs (Adam + Desk).

The system can stand alone or be integrated and coordinated with the elements of the Living and Young System programs.

Adam Standard double bed with mattress in a width of 1500 mm.

Adam Sofa double bed with sofa. On opening the bed, removing the back cushions, the sofa is positioned horizontally under the bed.

- Wooden **frame** with adjustable nylon feet.
- Opening **mechanism** mounted to the structure with foldaway system with gas pistons.
- **Bed base** with frame in tubular iron with slats in curved multilayer beech slats fixed to the frame with nylon/rubber seals.
 - Bed base: kg 34
 - Bed base + front panels kg 56
- Standard **mattresses** H180 mm double bed 1980 mm x 1500 mm, weight 29-32 kg.
Spring, memory basic, memory - independent spring coils, 7 zone memory, deluxe memory. For further information on mattresses, please refer to the specific page of the price list.
- Adjustable nylon mattress **belts** with black nylon release buckles.
- **Maximum liftable weight** (including mattress, blankets and pillows): kg 91
- **Standard finishes:**
 - Structure: Melamine White and lacquered as per Cleicoloursystem.
 - Front: Melamine White and lacquered as per Cleicoloursystem, Glossy White Dialux.
 - Back: Melamine White and lacquered in the Ceicoloursystem sample versions.

N.B.: Option to reduce the height to a max H 1697 mm by specifying whether shelf in upper compartment is required or not (see size reductions at the beginning of the price list).

WARNINGS: Assembly and safety



FIXING TO THE WALL IS MANDATORY.

This product is delivered disassembled and provided with specific assembly instructions.

The product must be anchored to walls using 4 anchor points and must stand on perfectly level floors.

A hardware kit is supplied for assembly, but it does not include wall plugs which, in order to guarantee safety, must be chosen by the installer based on the type of wall or partition where the product is to be installed, and which the manufacturer does not know.

The installer is responsible for workmanlike assembly and testing of the product.

For further specific warnings, please see page 15 of this price list and the instruction booklet that is supplied with each product inside the packaging.

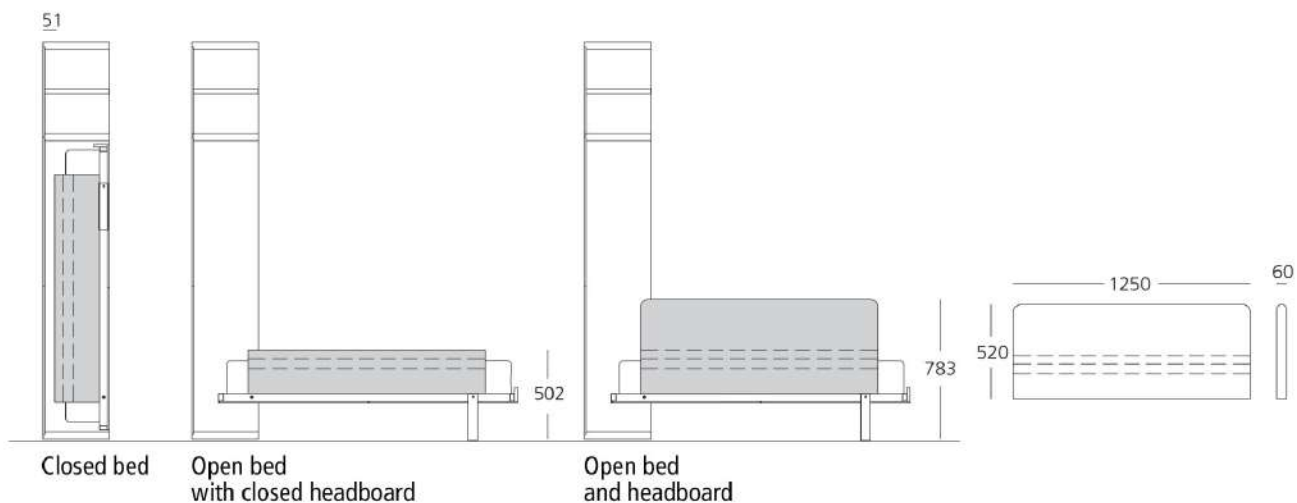
Reclining padded headboard

Iron frame with expanded, cold-cured polyurethane foam padding and with removable fabric cover.

Open headboard dimensions: W 1250 mm x D 60 mm x H 520 mm

Wash according to the fabric label.

Section



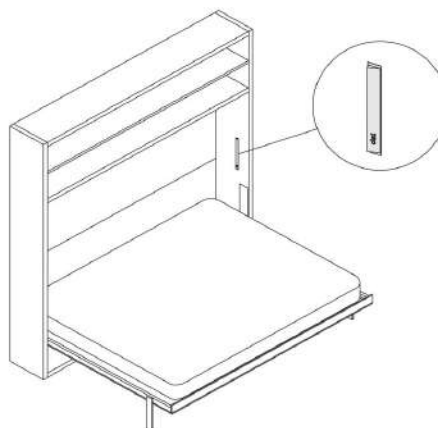
LED light

Semi-recessed warm-tone LED system made of an anodized aluminum frame, opaline polycarbonate cover and sensor switch. The LED used is certified in compliance with EN62471 regulation as part of the "risk-free" category that assures its unlimited maximum safety.

LED 3000°K 1,9 W IP40 75/80 Lm/W EEC A+



Dimensions: W 30 mm x D 9 mm x H 200 mm

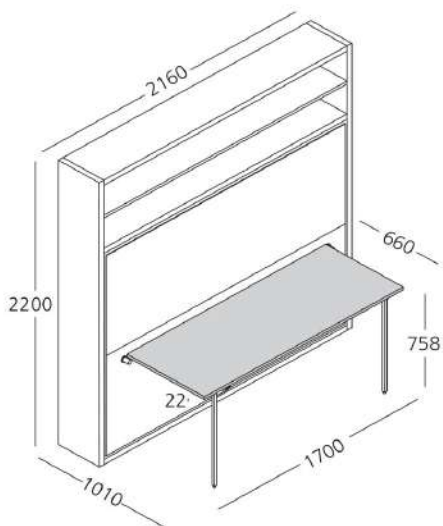


Desk - Folding desk top

Folding table top with foldaway legs fixed to the front of the Adam model (Adam + Desk)

Dimensions: W 1700 mm x D 660 mm x Th 22 mm

Maximum load: 35 kg equally distributed



Side view

