

## GENERAL TECHNICAL INFORMATION

Pull-out table inserted in a case element with flap door, with or without side drawer (on the left or right), to be fixed to the wall or on boiserie panel.

The table has a sliding system on adjustable telescopic rails, safety stop and integrated supporting telescopic leg. When opening the flap door, the rails are extracted and the leg is released for support on floor. The element thereby bears the weight of the table. One of the table surfaces is mounted to the structure and, combined with the other two surfaces with bi-folding opening, forms the table top in its full size.

It can be standalone or integrated in the Living and Young and can be coordinated with other transforming systems in the collection.

- Case structure and surfaces: Wood
- Drawer: Natural color birch plywood structure, opening with cushioned rails with partial extraction
- Mechanism: guide and telescopic support leg. Anodized aluminum leg
- **Maximum load:**
  - Case element: kg 40 equally distributed
  - Table: kg 35 equally distributed

### - Standard finishes:

Case structure: Melamine White, Oak Sabbia, Oak Moro, Perla, Tortora and lacquered as per Cleicoloursystem.  
Table top: Melamine White, Oak Sabbia, Oak Moro, Perla, Tortora and lacquered as per Cleicoloursystem.

**N.B.: Made-to-measure sizes are not possible.**

---

## WARNINGS: Assembly and safety



### MANDATORY TO FIX APP TO THE WALL OR TO THE BOISERIE PANEL

This product is delivered in separate parts and accompanied by specific assembly instructions.

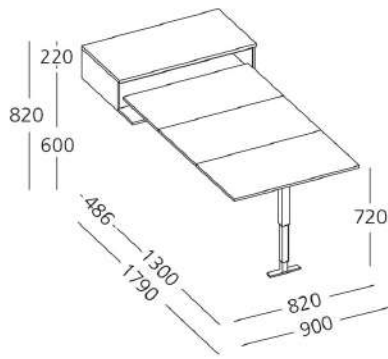
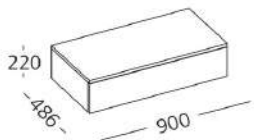
The unit containing the table system must be anchored to the wall or to the boiserie by 2 anchor points, or 4 anchor points when it includes a side drawer.

A hardware kit is provided for assembly, but it does not include wall plugs which, in order to guarantee safety, must be chosen by the installer based on the type of wall or partition where the product is to be installed, and which the manufacturer does not know.

The installer is fully responsible for correctly assembling and testing the product.

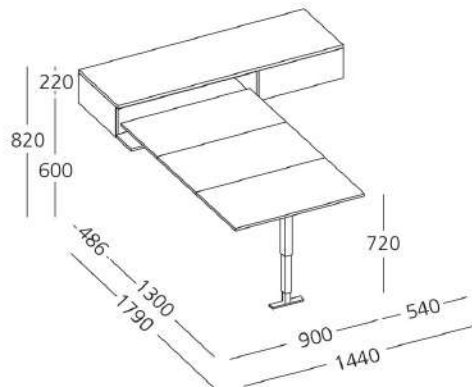
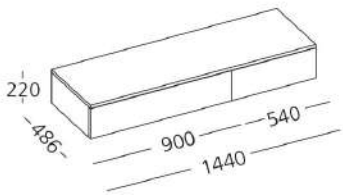
Maximum capacity of closed unit anchored to the wall 100 kg.

APP



APP with drawer

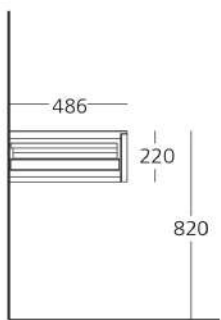
Version with right drawer



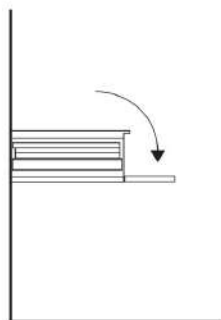
APP - Opening phases

Sections:

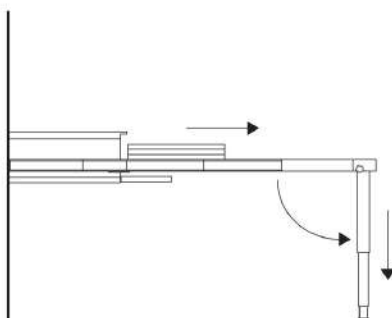
1 - closed table



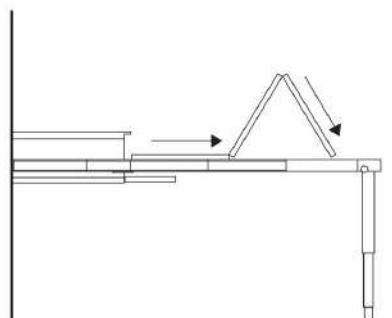
2 - tilting opening



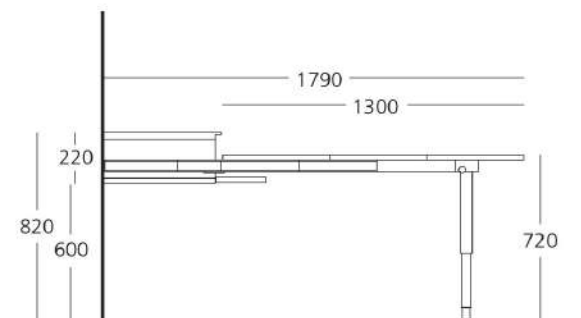
3 - extraction of rails and support leg



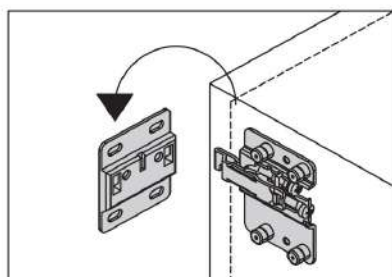
4 - bi-folding table top



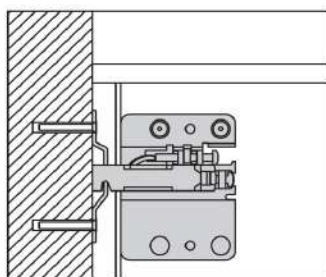
5 - open table



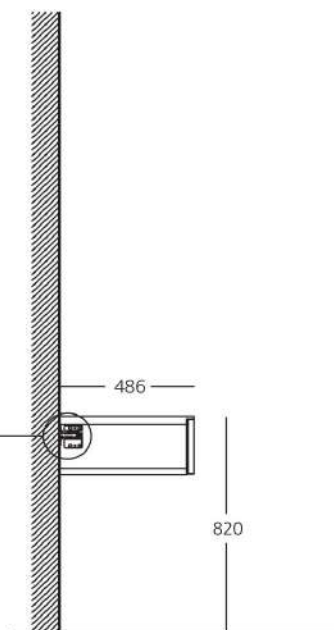
**Direct fixing to the wall**



Details of wall connection system

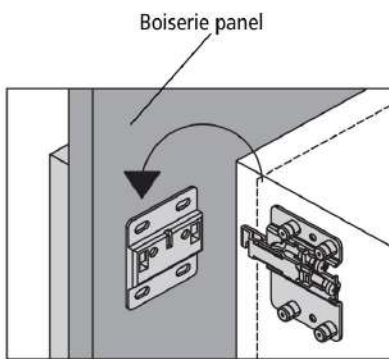


Detail of the section of the connecting system to the wall

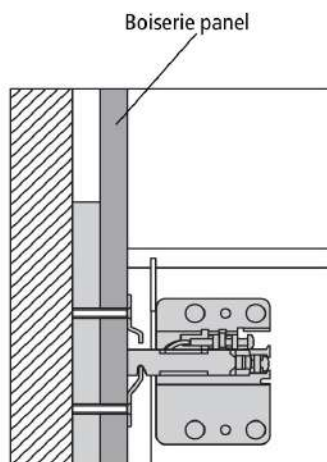


Section

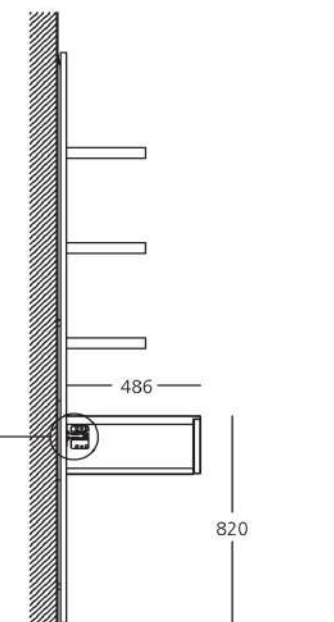
**Fixing to the wall using the boiserie panel.**



Detail of the connecting system to the boiserie panel



Detail of the section of the connecting system to the boiserie panel

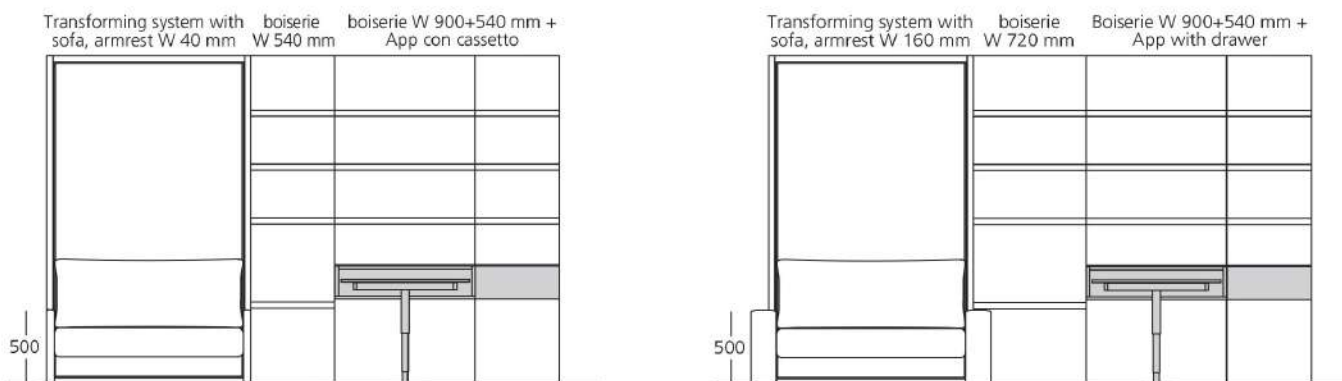


Section

**FIXING TO THE WALL USING THE BOISERIE PANEL**

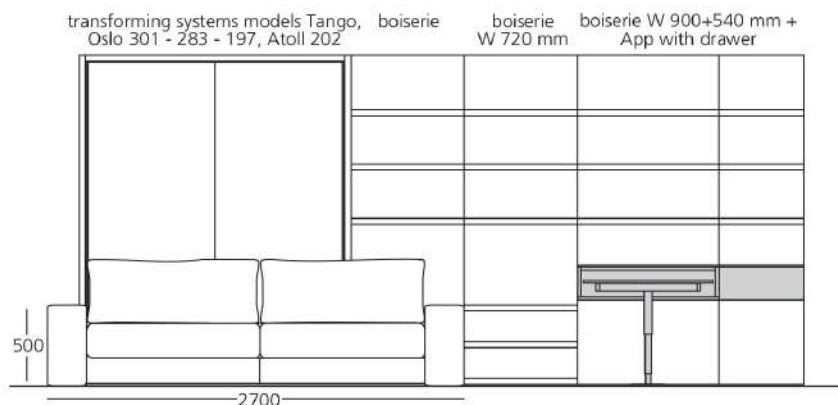
**1 - Integrated with systems with sofa:**

- with armrest W 40 mm, between APP and Transforming system, use boiserie with a minimum width of 540 mm.
- with armrest W 160 mm or wider, between APP and Transforming system, use boiserie with a minimum width of 720 mm.



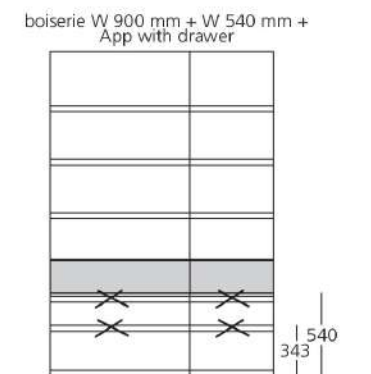
**2 - Integrated with Tango, Oslo sofa 301 – 283 – 197, Atoll 202 systems**

- For transforming systems with sofa use boiserie of minimum W 720 mm (see dedicated section)



**3 - Integrated with boiserie shelves**

- Positioning the shelf at H 343 mm to 540 mm from the ground is not recommended
- Option of inserting floor-resting shelf



**4 -APP between two boiserie panels**

Option of fixing APP between two boiserie panels at a distance of no less than 180 mm from the panel junctions. Always indicate the positioning from the centre of the boiserie panel.

