

GENERAL TECHNICAL INFORMATION

Transforming system for study/work area, which is combined with a large-size lifting desk with a single bed. Always ready. With a simple movement, it is transformed into the night version without removing anything from the writing desk.

The article is complete with side panels (D 623 mm), storage element (D 623 mm) or with special elements combined with drawer (D 623 mm) and bookshelf (D 350 mm).

Joint mechanism mounted to the structure with a gas spring system with devices that prevent lowering of the writing desk when the bed is opened.

The system can stand alone or be integrated and coordinated with the elements of the Living and Young System programs.

- **Frame** epoxy powder coated iron tubes, nylon feet.
- **Bed base** with frame in tubular iron with slats in curved multilayer beech fixed to the frame with nylon/rubber seals.
 - Bed base : kg 28
 - bed base with front panel: kg 40
- Standard **mattresses** H 160 mm, 850 mm x 1970 mm, weight 14-16 kg.
 - Spring, memory basic, 7 zone memory, deluxe memory versions. For further information on mattresses, please refer to the specific page of the price list.
- Adjustable mattress **locking belts** with black nylon release fasteners.
- **Maximum liftable weight** (including mattress, blankets and pillows): kg 5

- Standard finishes:

Back:	Melamine White, Oak Sabbia, Oak Moro, Perla, Tortora and lacquered as per Cleicoloursystem.
Writing desk top:	Melamine White, Oak Sabbia, Oak Moro, Perla, Tortora and lacquered as per Cleicoloursystem.
Shelf:	Melamine White, Oak Sabbia, Oak Moro, Perla, Tortora and lacquered as per Cleicoloursystem.
Front:	Melamine White, Oak Sabbia, Oak Moro, Perla, Tortora, Glossy White Dialux, lacquered as per Cleicoloursystem.
Side panels:	Melamine White, Oak Sabbia, Oak Moro, Perla, Tortora and lacquered as per Cleicoloursystem.

N.B.: Made-to-measure sizes are not possible.

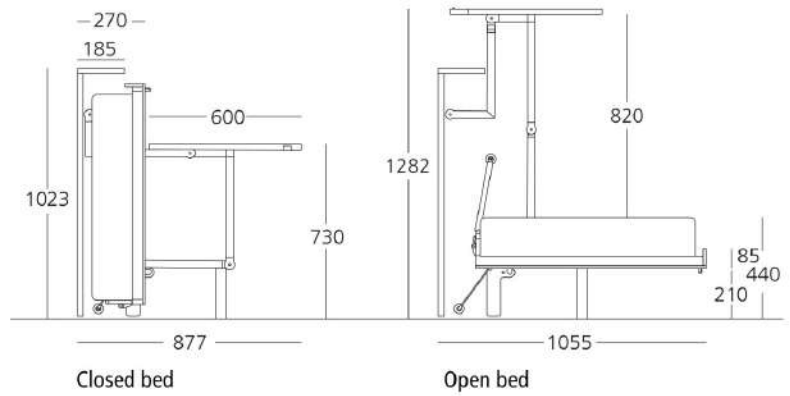
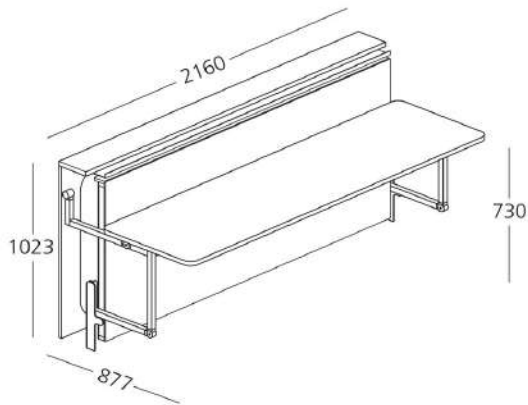
WARNINGS: Assembly and Safety

CABRIO IN IS SELF-SUPPORTING.

This product is delivered in separate parts and provided with specific assembly instructions. It must be assembled standing on a perfectly flat floor.

With folding mechanisms for functionally related components, the product may undergo imperceptible vibrations or minimum movements which, if necessary, can be avoided by anchoring the transforming system to the support against which it is installed.

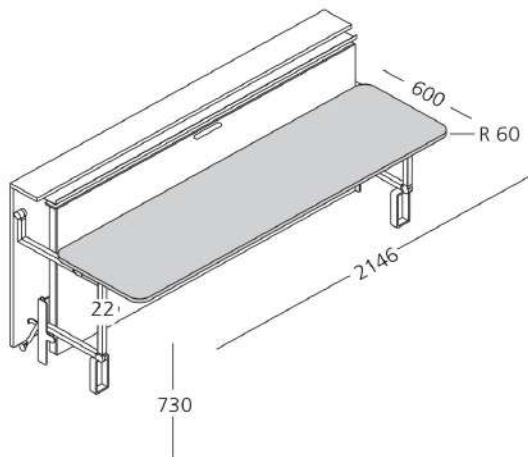
Section



WRITING DESK TECHNICAL FEATURES

Lifting writing desk combined with bed mechanism, provided with safety system that prevents the accidental closure of the writing desk with the bed open.

Maximum load: 70 kg equally distributed



SIDE PANEL TECHNICAL FEATURES

Closing side panel mounted to the mechanism to complete the product.

Alternatively, the mechanism can be anchored directly to beside elements such as:

Storage element H 1023 – 2200 – 2561 D 623 (see dedicated page).

- Elements for Cabrio IN with drawer and bookshelf (see dedicated page).

