

GENERAL TECHNICAL INFORMATION

Doc. transforming system is a completely removable comfortable sofa that turns into a practical bunk bed with slatted bed base in one simple movement.

Opening mechanism with gas spring and jointed ladder combined to a protection barrier integrated in the structure; in the bunk bed version, the ladder opens vertically and acts as load-bearing support.

- **Tubular structure** in epoxy powder coated painted iron, nylon feet.
- **Base** with frame in tubular reinforced iron and curved beech plywood slats fixed to the frame with adjustable nylon/rubber seals.
 - Bed base kg 75
- Adjustable nylon mattress **belts** with black nylon release buckles.
- **Maximum liftable weight** (including mattress, blankets and pillows): kg 90
 - Rete Kg 90
- **Armrests:** metal structure integrated with mechanism, padded in Dacron covered in fabric or leather; frontal inserts in lacquered toulipier solid wood in the Cleicoloursystem finish.
- **Backrest cushions:**
 - Foam version: padded in polyurethane, density 16 kg/m³ (1.8 Kpa) + covered in a layer of Dacron and 100% white cotton fabric.
 - Feather version: made of Piuma & Fill, a padding system made of natural goose feathers, washed and sterilized according to the strictest European regulations and from hollow cold-extruded siliconized polyester fiber flakes with constant denier and shaped like tiny springs.
- **Seat:** Made with high-density polyurethane foam mattress, H 1200 mm, single 1930 mm x 800 mm, weight 8-10 kg. Cover in resinated Dacron coupled with cotton fabric.
- **Front face:** in foam coupled with velvet
- Wash according to the fabric label.
- **Upper bed mattress:** H 140 mm, single 1910 mm x 690 mm, weight 10-12 kg, spring, memory basic, 7 zone memory, deluxe memory versions. For further details, see the dedicated page.

Attention: Cover in eco-leather could create small wrinkles due to the shape and the movement of the seat

N.B.: Made-to-measure sizes are not possible.

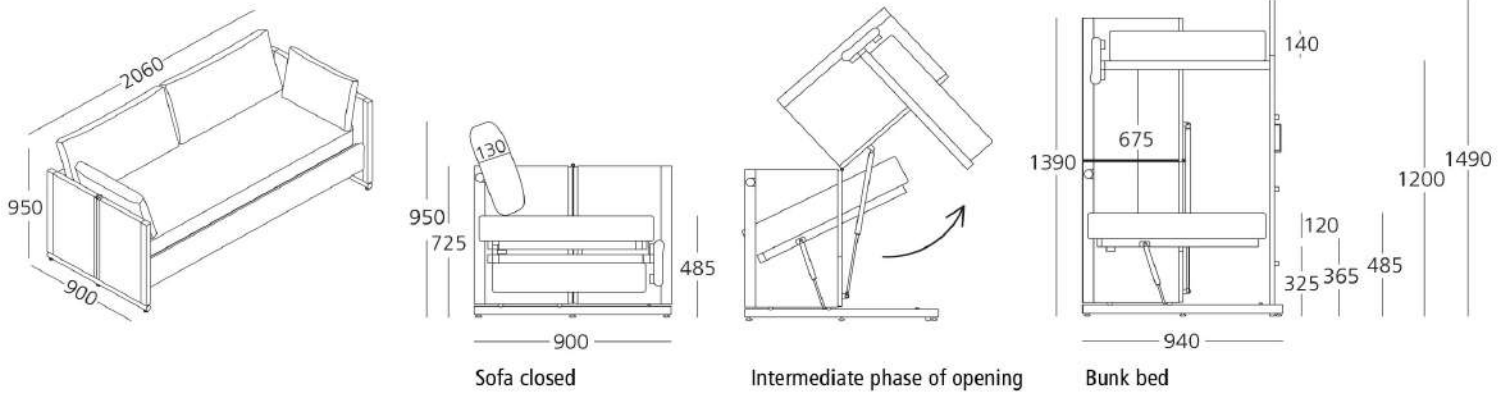
WARNINGS: Assembly and safety

The product is supplied fully assembled.

It is possible to dismantle to facilitate transport to the site of use.

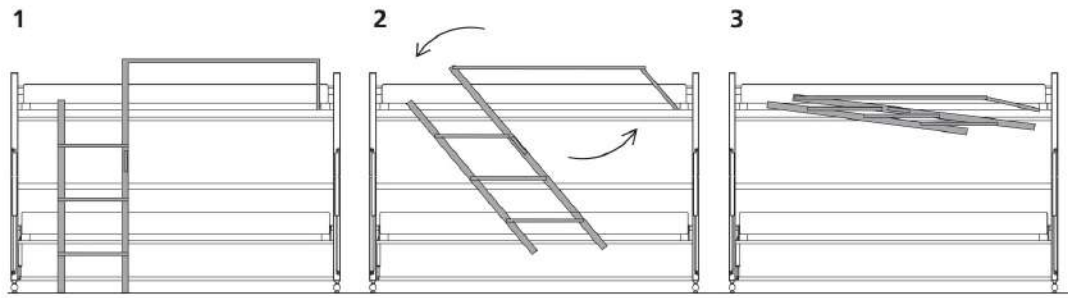
- In the bunk bed version, it is mandatory to place the ladder in a vertical position since it acts as support and prevent the closing tilting of the upper bed.

Section

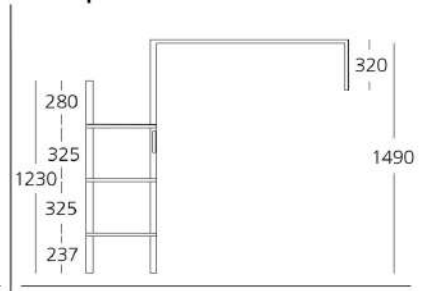


Integrated ladder and protection barrier - closure sequence

N.B.: The load-bearing ladder in the integrated version is positioned on the left (see drawing). It is not possible to have it on the right side.



Dimension of integrated ladder and protection barrier



- 1) Open position = Ladder with load-bearing support function and guard barrier.
- 2) Intermediate position = By rotating the ladder, the barrier is also closed
- 3) Closed position