

GENERAL TECHNICAL INFORMATION

Dual-function transforming system with a horizontal foldaway bunk bed with the patented CF09 slatted bed base, with fold down opening and safety device to stop accidental opening and closing.

Folding mechanism with gas springs and device that cushions movements, completely embedded in the side of the structure, thanks to patented technology and special manufacturing.

In the bunk bed position, the anodized aluminum ladder is fastened to both the beds and also acts as an additional support.

The upper bed is equipped with a sloping mechanism to make it possible to remake the bed.

A reclining safety barrier is available in the metal and padded versions.

The model made to a depth of 350 mm, and in two heights, 1943 mm and 2200 mm (with storage element and flap door), is available in the Standard, Board (maxi writing desk) and Sofa versions. The system can stand alone or be integrated and coordinated with the elements of the Living and Young System programs.

Kali Duo Standard is available in two heights, 1943 mm and 2200 mm.

Kali Duo Board with bunk bed and patented maxi writing desk, which uses a tilting movement to slide horizontally under the bed in the night-time configuration, without the need to remove any objects from the desk.

Kali Duo Sofa with bunk beds and sofa, patented. The backrest cushions are removed as the bed is opened, the sofa slides backwards and takes place under the lower bed. The sofa is available in the version with a single seat cushion, French stitching, with two types of armrest on different widths (W 40 mm and 160 mm) and in the "Next" version with divided seat, horizontal band under the chair and armrest W 160 mm, French stitching.

Removable cover.

- **Wooden frame** with adjustable nylon feet.

- **Bed base** with curved beech plywood slats mounted to the frame with adjustable nylon/rubber gaskets.

- weight of lower bed base: Kg 28 - weight for upper bed base: kg 26

- weight of lower bed base with front panel: Kg 40 - weight for upper bed base with front panel: kg 38

- **Ladder:** anodized aluminum with nickel-plated die-cast zamak joints and connections in welded and molded steel.

- **Reclining safety barrier** for the upper bed in two versions:

- **Metal:** made in steel tube with epoxy paint, can be closed using the joint release.

- **Padded:** Iron structure padded on three sides with cold-cured polyurethane foam covered with removable fabric and can be closed using the buttons on each barrier and appropriately identified with textile insert. In this version, the mattress for upper bed is smaller than mattress of lower bed, due to the presence of the padded barrier :Mattress mm W 800 x L 1920 x H 160

- **Standard mattresses** H 180 mm, single 800 mm x 1970 mm weight 14-16 kg - mm H 160 x W 800 x L 1920 weight Kg 14, only for upper bed with padded barriers.

Spring, memory basic, memory - independent spring coils, 7 zone memory, deluxe memory versions (for further information on mattresses, refer to the specific page of the price list).

- Adjustable mattress **locking belts** in nylon with black nylon release fasteners.

- **Maximum liftable weight** (including mattress, blankets and pillows): kg 59

- **Standard finishes:**

Structure: Melamine White, Oak Sabbia, Oak Moro, Perla, Tortora and lacquered as per Cleicoloursystem.

Front: Melamine White, Oak Sabbia, Oak Moro, Perla, Tortora, Cemento, Glossy White Dialux, lacquered as per Cleicoloursystem.

Back: Melamine White and lacquered as per Cleicoloursystem.

Decorations: Multicolor, Prints, Quadra - Petalo - Wave, fixed configurations as per chapter "decorations" of the pricelist.

N.B.: Made-to-measure sizes are not possible.

PATENTED CF09 BED BASE: Technological Innovation

- **The bed base** consists of laser cut, press-brake bent box-shaped sheet metal with die-cast components and a slatted wooden base (Fig. 1).

- **Safety:** Bed base safety device consisting of an automatic engagement locking pin. The auto-lock mechanism prevents accidental opening and closing of the bed, both in the vertical and in the horizontal position (Fig. 2).

Integrated opening lever between the side and front panel (Fig. Fig.3) with automatic locking function of the open bed and manual unlocking for its closure (Fig. Fig.4).

- **Mechanism and design:** Folding mechanism with gas springs and device that cushions movements, completely recessed in the side of the structure, thanks to patented technology and special manufacturing (Fig. 5).

- **Easy installation,** the gas spring automatic engagement device makes the bed base quick and easy to install.

- **Functionality and aesthetics:** No hardware required for front panel mounting (Fig. 6).

- **Adjustments:** to compensate floor level differences, the bed frame legs are height adjustable (Fig. 7A and 7B).



FIG.1

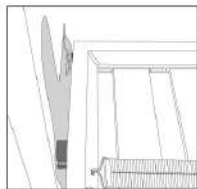


FIG.2

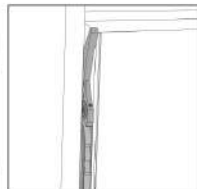


FIG.3



FIG.4

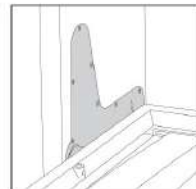


FIG.5

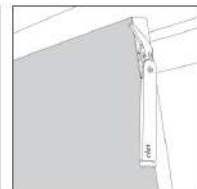


FIG.6

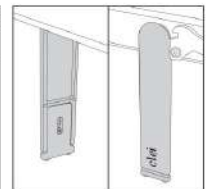


FIG.7A

FIG.7B

WARNINGS: Assembly and Safety



**MANDATORY TO FIX KALI DUO STANDARD AND KALI DUO BOARD TO THE WALL.
KALI DUO SOFA IS SELF-SUPPORTING.**

In the bunk bed position, it is mandatory to fix the ladder to both beds. The ladder also acts as upper load-bearing support. The models described are compliant with the prerequisites required for the safety of the high beds for domestic use UNI EN 747.

This product is delivered disassembled and provided with specific assembly instructions.

The product must be anchored to walls using 3 anchor points and must stand on perfectly level floors.

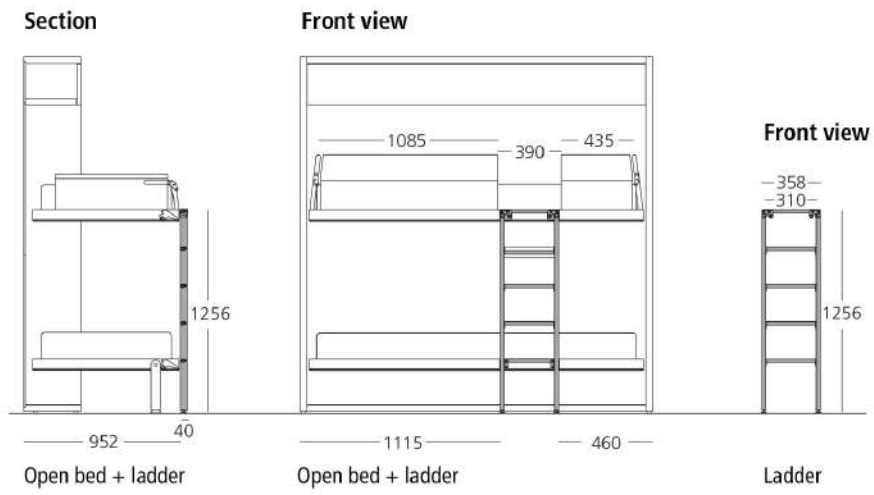
A hardware kit is supplied for assembly, but it does not include wall plugs which, in order to guarantee safety, must be chosen by the installer based on the type of wall or partition where the product is to be installed, and which the manufacturer does not know.

The installer is responsible for workmanlike assembly and testing of the product.

For further specific warnings, please see page 15 of this price list and the instruction booklet that is supplied with each product inside the packaging.

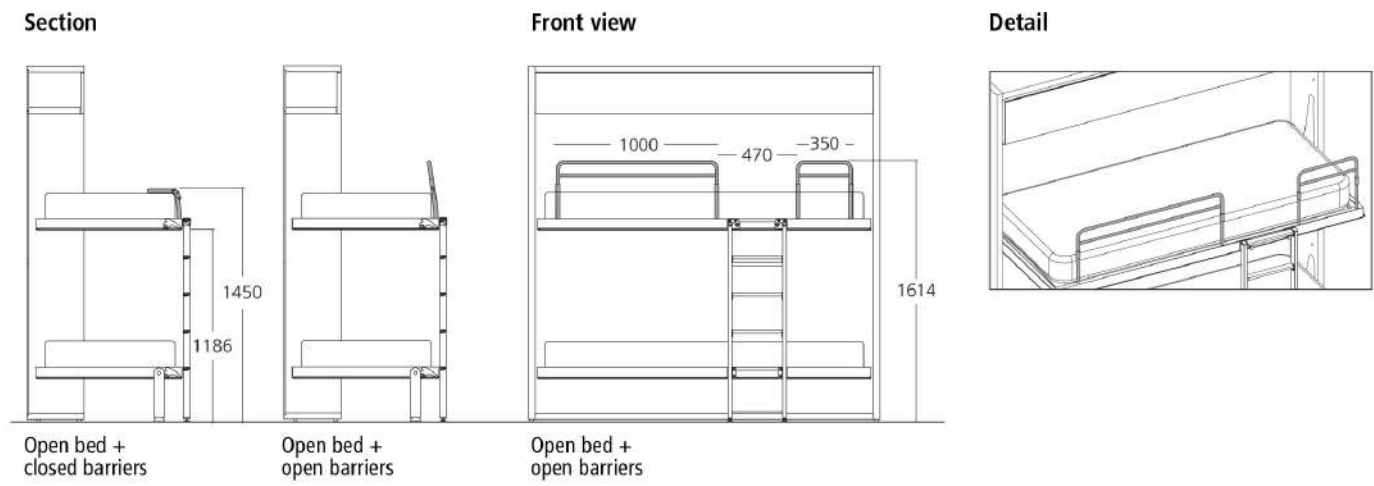
Ladder

The ladder is secured to both beds by an automatically engaging lock mechanism, and serves as an additional load-bearing support. Made of anodized aluminum with nickel-plated die-cast zamak joints and connections in welded and molded steel. Right position only, as in the diagram.



Reclining metal barrier for upper bed

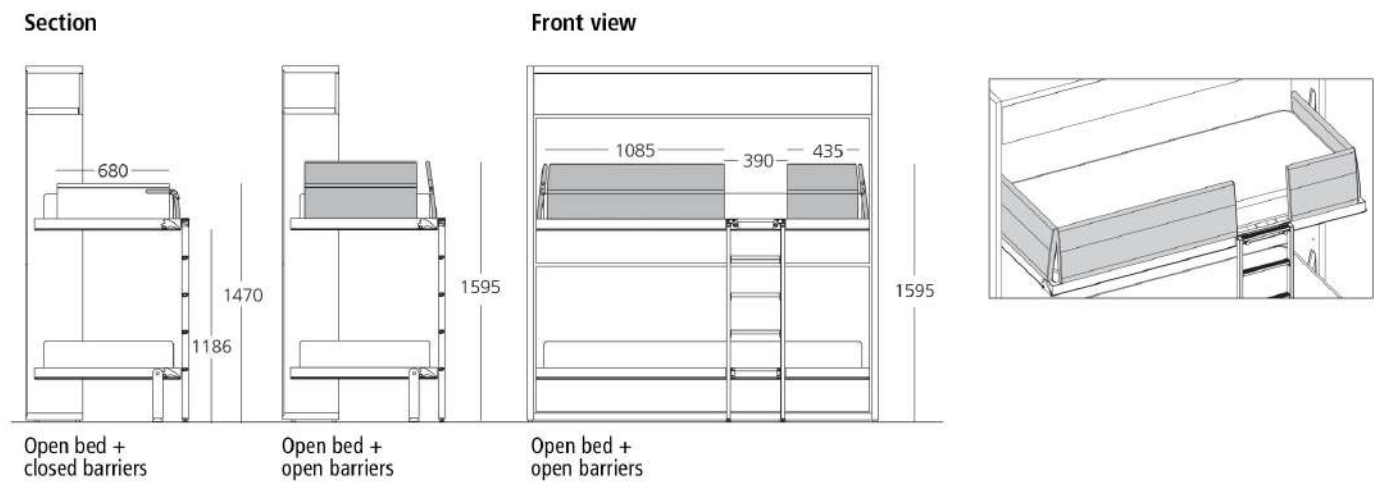
Made of steel tube, epoxy paint and can be closed using the joint release in opaque die-cast nickel-plated zamak. Optional headboards can be applied with this type of barrier for both beds.



Reclining padded barrier

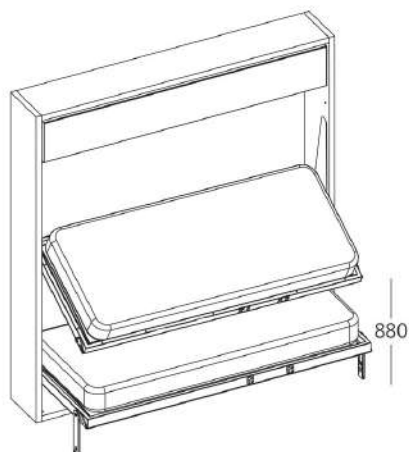
Iron structure padded on three sides with cold-cured polyurethane foam covered with removable fabric and can be closed using the buttons on each barrier and appropriately identified with textile insert. With this type of barrier, the headboard can only be applied on the lower bed only. Wash according to the fabric label.

N.B.: The mattress for upper bed is smaller than mattress of lower bed, due to the presence of the padded barrier:
 Mattress: mm H 160 x W 800 x L 1920 weight Kg 14



Making the upper bed - integrated mechanism

With a simple movement, the upper bed tilts forward to facilitate remaking it



Open bed with upper bed in reclined position

Accessories - KALI DUO

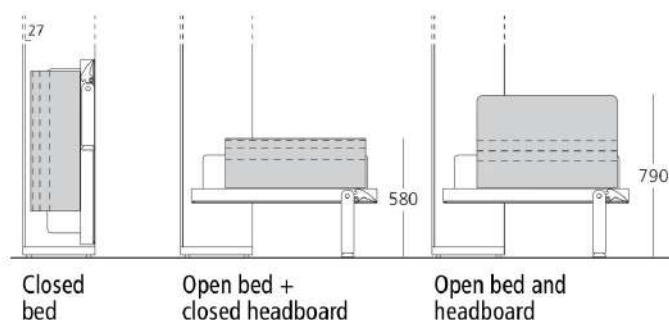
Reclining padded headboard

Iron frame with expanded, cold-cured polyurethane foam padding and with removable fabric cover.

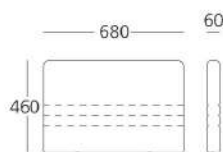
Cannot be covered in eco-leather due to the thickness, which causes chafing

Open headboard dimensions: W 680 mm x D 60 mm x H 460 mm

Section



Reclining headboard dimensions



LED light

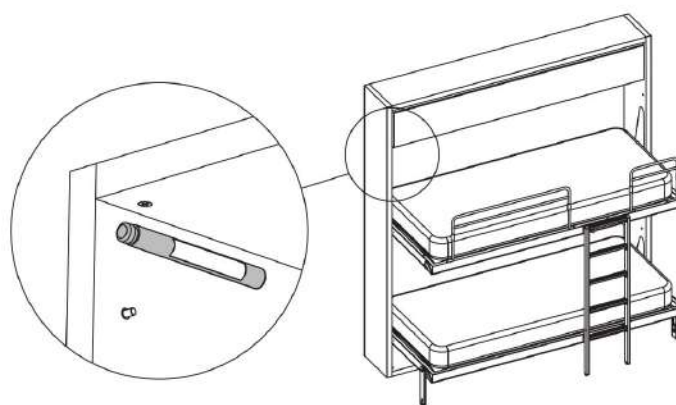
LED system made of aluminum tubes with plexiglass sliding cover, which acts as a lamp. On/off button in the rear and rubber front pad to cushion the bed base closure.

The LED used is certified as compliant with regulation EN62471 in the existing risk group that ensures its utmost safety without limitations.

LED 3000°K 1,4 W IP20 75/80 Lm/W EEC A+

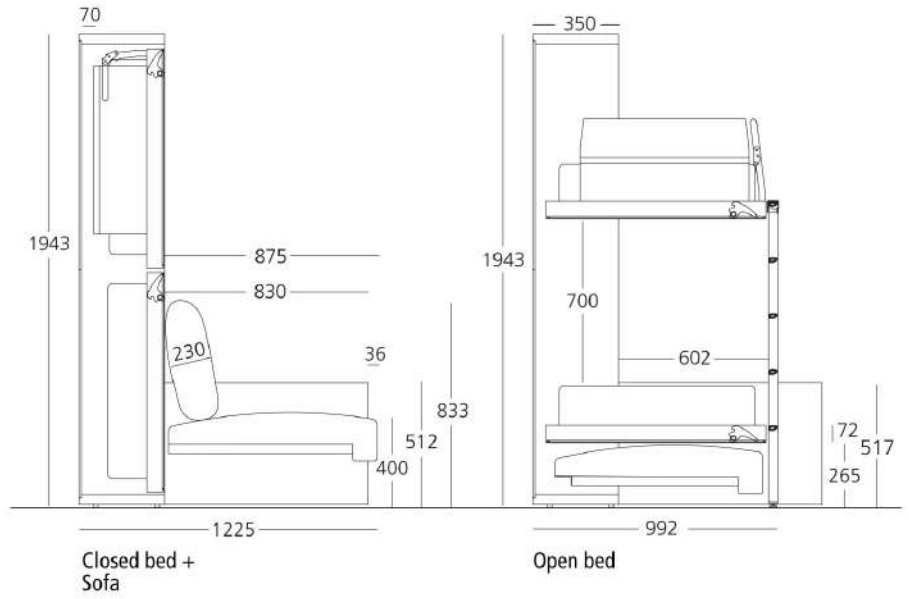
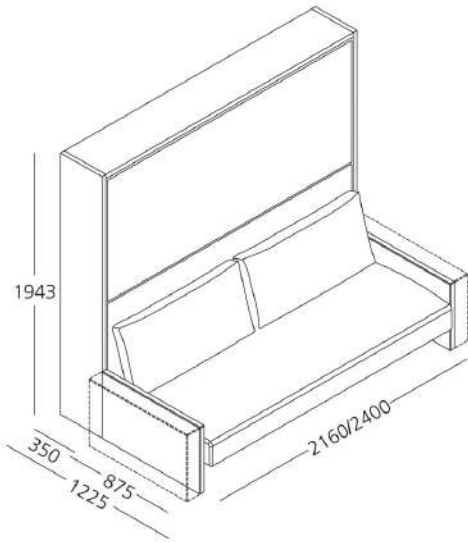


Dimensions: W 200 mm x D 25 mm



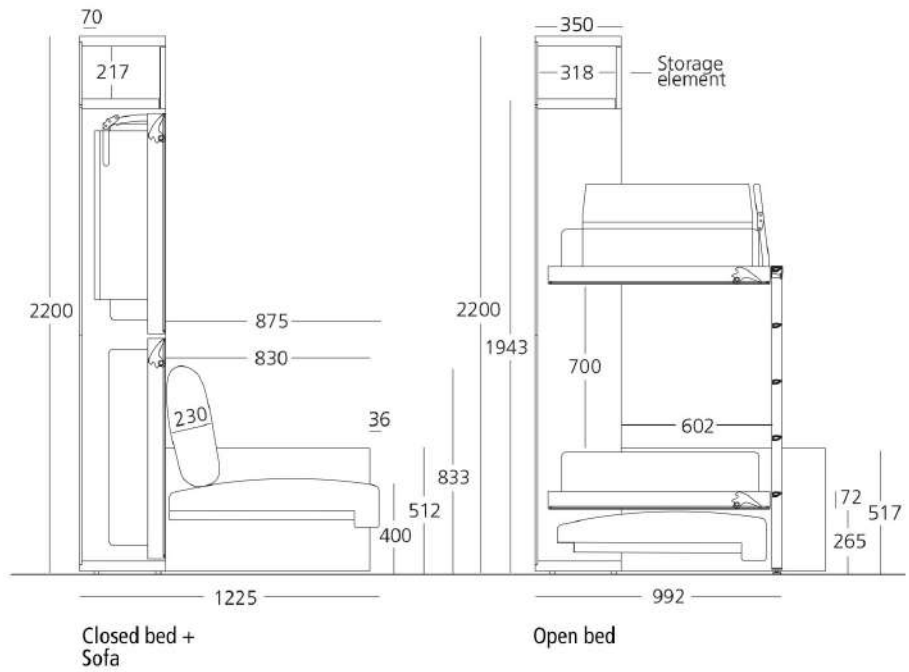
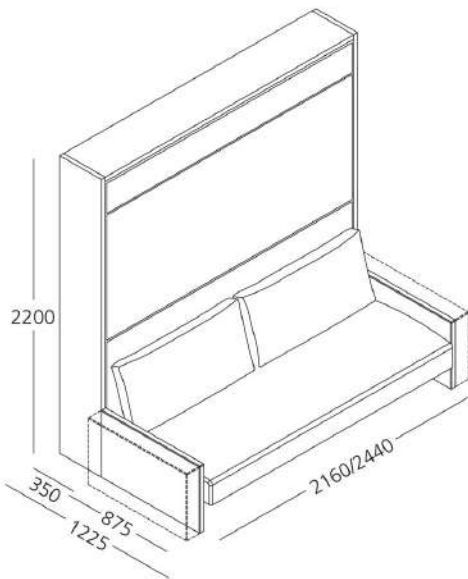
KALI DUO SOFA 1943

Section



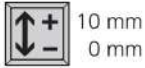
KALI DUO SOFA 2200

Section



SOFA TECHNICAL FEATURES

- **Structure** made of iron with epoxy powder coating
- **Seat springs** made of interwoven reinforced elastic straps.
- **The seat cushions** are made of non-deformable foam of differing densities and upholstered with a layer of Dacron coupled with cotton cloth. For the Next version sofa, the seat is composed of two cushions (Fig. 3).
- **Backrest cushions:** made of Piuma & Fill, a padding system made of natural goose feathers, washed and sterilized according to the strictest European regulations and from hollow cold-extruded siliconized polyester fiber flakes with constant denier and shaped like tiny springs. All the cushions are covered in white 100% cotton cloth that protects the contact with the padding
- Only for the Next sofa (Fig. 3) a front band is inserted under the seat in poplar plywood, foam padded and covered in coupled velvet.
- **Cover** in completely removable fabric or leather, with French or normal stitching.
- **Armrests** in widths 40 mm (Fig. 1) and 160 mm (Fig. 2). For both sizes, the armrest has an iron frame with high-density cold-foamed expanded padding, covered in coupled velvet. Next version sofa with armrest W 160 mm.
- **Adjustment of foot under armrest**



- Maximum sofa **capacity** 300 kg
- **Optional** feather lateral loose cushion

- Length required for sofa cover:

KALI Sofa armrest 40 mm

- Fabric Ml. 6,5 in H. 1,40 mm - Leather m² 1

KALI Sofa armrest 160 mm

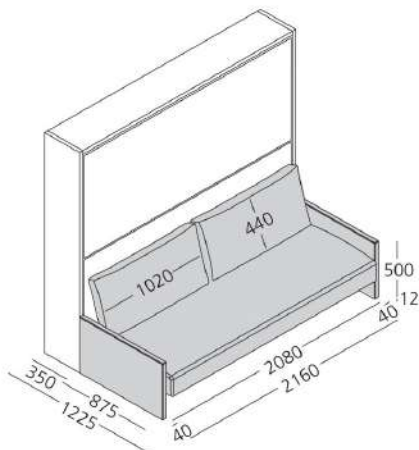
- Fabric Ml. 7,5 in H. 1,40 mm - Leather m² 13,10

KALI Sofa Next

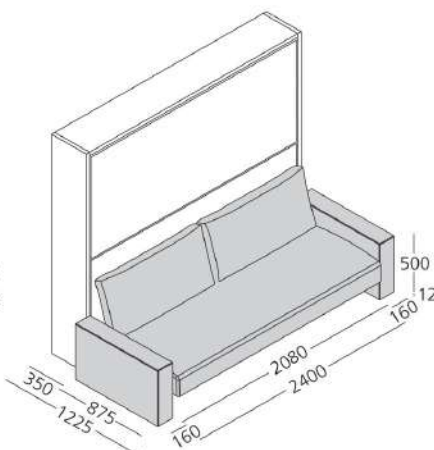
- Fabric Ml. 8,0 in H. 1,40 mm - Leather m² 13,10

- Wash according to the fabric label.

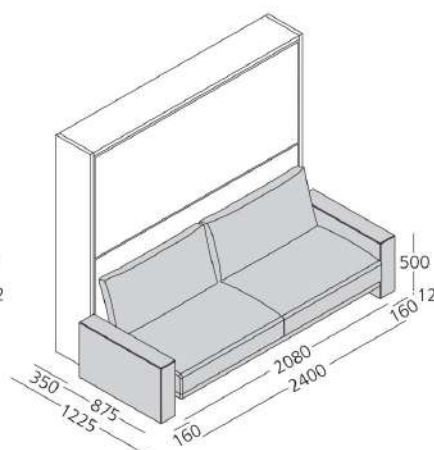
SOFA: Armrests and seat



(Fig. 1)
Sofa with armrests W 40 mm



(Fig. 2)
Sofa with armrests W 160 mm



(Fig. 3)
Next version sofa with armrests W 160 mm, divided seat, horizontal band under the seat

KALI SOFA - Design guide, composition and integration with the Living and Young System programs

Warnings for 160 mm W sofa with armrest - Kali duo sofa

Combination with open storage units, storage units 350 mm D with fixed lower door and with boiserie.

open columns

column with fixed lower door

standard boiserie

