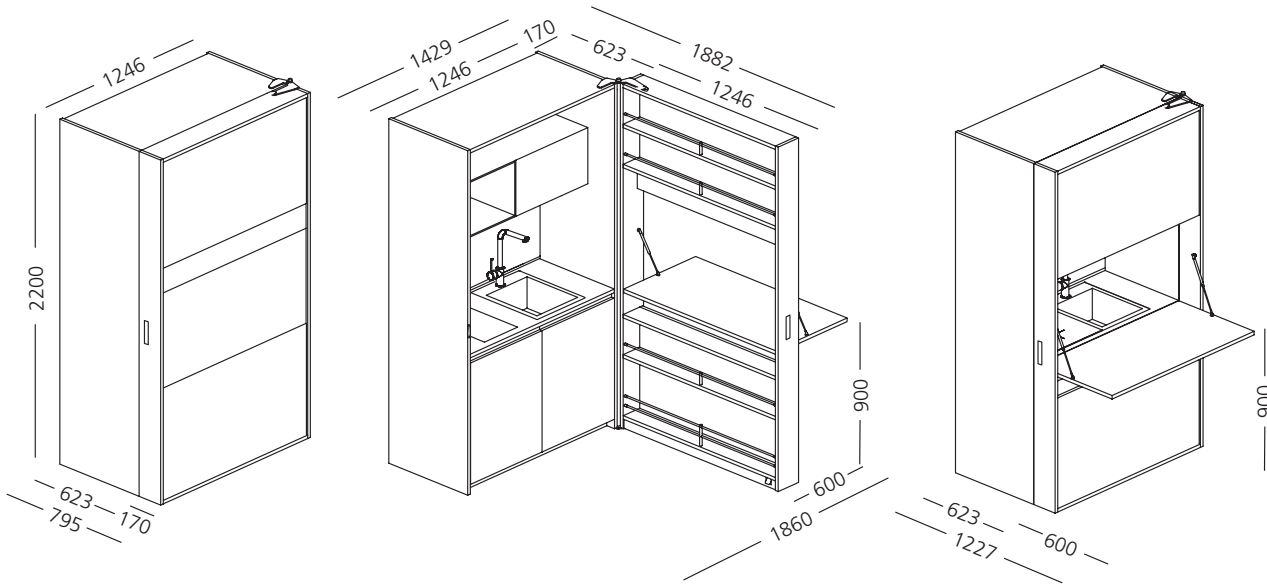


KITCHEN BOX - Transforming foldaway mini-kitchen

Kitchen Box is a foldaway mini-kitchen, available in the Basic Melamine White and Plus lacquered versions, with several variations of fixed layout configurations, which can be integrated in the Living and Young System programs.

KITCHEN BOX

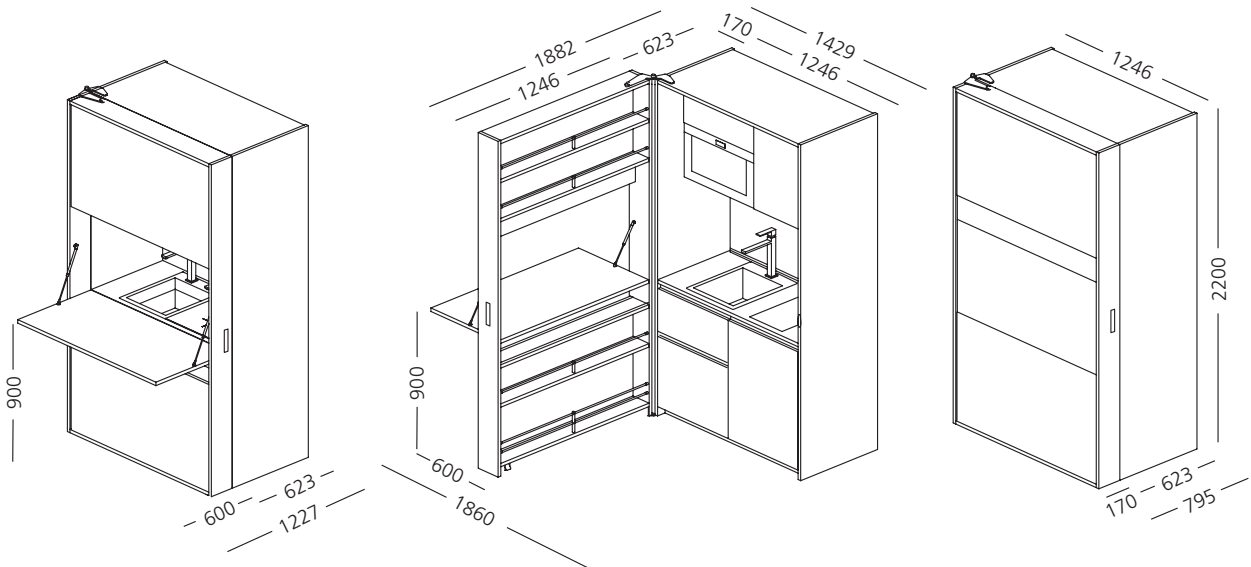
BASIC VERSION



HOME OFFICE

GIRÒ

PLUS VERSION



APP

WALLY

KITCHEN BOX - Transforming foldaway mini-kitchen

GENERAL TECHNICAL INFORMATION

The kitchen consists of a single unit arranged with cabinets - upper cabinets - compact appliances - accessories, connected to the revolving element/bi-folding equipped door that also serves as a closure system to make the kitchen foldaway.

The equipped revolving door is organized as a pantry with an integrated folding table top that, once opened, is aligned with the worktop of the kitchen unit, increasing the worktop surface.

The table top can be opened and used even when the equipped door is closed (Maximum load top 30 kg equally distributed).

The equipped door can be fitted with the opening over 90° block system.

The kitchen is organized with fixed scheme standard configurations with multiple variations, with and without appliances and is constrained to a specific composition rule:

“the fridge base, and therefore the cooking hob and the hood cabinet, must be mandatorily placed in the opposite position to the opening direction of the equipped door (e.g. on the left if the equipped door is on the right)”.

The kitchen is designed to accommodate a device that deactivates the hob and microwave when the kitchen is closed. When the door is opened, the power supply is reactivated.

Device conforming to IEC standards, EN 61439 - part 1 and 2, and EC legislation 2006/95/EC.

BASIC VERSION:

Finishes:

Melamine White with lacquered fronts of the equipped door - option A

Melamine White with front panels and outer structure sides lacquered - option B

Fenix Top, white Malè finish - anchored to the single unit - **it can not be substituted**

Melamine White back.

Upper cabinets: W 600 mm x D 380 mm x H 392 mm - open for countertop microwave - hood cabinet - draining rack - with flap up opening doors.

Cabinets: W 600 mm x D 574 mm x H 877 mm - sink cabinet with hinged door g - drawers g - fridge cabinet - dishwasher cabinet g - aluminium groove handle, RAL 9010 white finish.

Backsplash for top: plastic edge and edge finished in polished natural anodized polished aluminum.

Skirting: stainless steel, satin finish

Undercabinet accessories (bound to the undercabinet LED lamp): the ladle holder accessory and glass shelf are available on request. They are made of natural anodized aluminum and tempered glass.

PLUS VERSION:

Finishes:

Lacquered outside, melamine internal structure.

Fenix Top, white Malè finish - anchored to the single unit - **it can not be substituted**

White varnished retro glass back.

Upper cabinets: W 600 mm x D 380 mm x H 625 mm - with push door opening - built-in microwave g - hood cabinet g - draining rack.

Cabinets: W 600 mm x D 574 x H 877 mm - sink cabinet with drawers g - dishwasher cabinet g - fridge cabinet g - aluminium groove handle, lacquered finish like door.

Backsplash for top: plastic edge and edge finished in polished natural anodized polished aluminum.

Skirting: stainless steel, satin finish.

Accessories for waste collection: 2 bins, 6 W/each for differentiated waste, with bowl and steel tray 10/10.

Cutlery tray: Cutlery tray system, 6 pull-out steel trays.

Undercabinet accessories (bound to the undercabinet LED lamp): the ladle holder accessory and glass shelf are available on request. They are made of natural anodized aluminum and tempered glass.

WARNINGS: Assembly and Safety



The product comes with mounted cabinets and upper cabinets, partially assembled equipped door and other loose components and is provided with specific assembly instructions.

The product must be anchored to walls using 2 anchor points and must stand on perfectly level floors; for minimum floor height differences operate the foot and wheel adjustment as per the assembly instruction manual, to which reference is made.

A hardware kit is supplied for assembly, but it does not include wall plugs which, in order to guarantee safety, must be chosen

by the installer based on the type of wall or partition where the product is to be installed, and which the manufacturer does not know.

The installer is responsible for workmanlike assembly and testing of the product.

For further specific warnings, please see page 15 of this price list and the instruction booklet that is supplied with each product inside the packaging.

TECHNICAL FEATURES

Cabinet and upper cabinet structures:

These are made of waterproof chipboard panels (class V100) with Melamine White finish and a thickness of 19 mm. 10 mm back. White 10/10 ABS edges matching the panel. The panels comply with the "E1" standard with low formaldehyde emission.

Outer door, equipped door, doors and drawer fronts:

Made from 22 mm thick chipboard with Melamine White finish. White 10/10 ABS edges matching the panel. The panels comply with the "E1/CARB2" standard with low formaldehyde emission.

Tilting top and table top:

Top and tilting top of the equipped door are made of plated laminate on waterproof chipboard panel (class v100) with an overall thickness of 23 mm. Laminates used: Fenix in white finish, Malè on the inside and standard white (RAL 9010) on the outside. ABS10/10 edges applied using the laser technique in white finish for the top and brushed steel for the tilting top. The Fenix laminate has been used for worktops as it is a new generation material with an extremely matt surface, low-reflection of light, anti fingerprint, high resistance to scratches and abrasions, hygienic, antistatic and water resistant. The panels comply with the "E1" standard with low formaldehyde emission.

Back:

Made from 22 mm thick chipboard panel with Melamine White finish. White 10/10 ABS edges matching the panel. The panels comply with the "E1/CARB2" standard with low formaldehyde emission.

White back painted tempered glass to fix to the back for the Plus version.

Lacquering:

The paints used are water-based which drastically reduce emission into the environment of VOCs (volatile organic compounds) compared to solvent paints; furthermore these are odourless, non-flammable and with low toxicity. The paints used conform to the safety standards of furnishing articles and to the directives concerning toys EN 71.3, in other words materials that may occasionally come into contact with children's' mouths.

Drawers and basket drawers:

Standard drawers and basket drawers are fully extractable in white painted metal with slow closing and horizontal and vertical adjustment, with light and silent sliding on steel calibrated guides to withstand high dynamic loads (30 kg).

Draining rack:

Upper cabinets with aluminum frame to stiffen the structure and draining rack in AISI 304 printed stainless steel with shelf for plates and glasses and drip tray. Standard Moplen accessory kit for draining rack and cutlery tray.

Cabinet unit handles with door and unit drawers:

Aluminum groove handle, white or color lacquer finish, for cabinet unit doors and drawers.

Equipped door handle:

Zamak recessed handle, in stainless steel effect finish.

Skirting:

10/10 stainless steel satin finish and with 60 mm height.

Backsplash for top:

It is composed of a plastic coextruded profile to be fixed to the back and of a 27 mm high and 10 mm thick smooth aluminum profile in natural anodized finish.

Undercabinet LED lamp:

LED lamp consisting of a profile in natural anodized aluminum with polycarbonate screen, 19 W/m warm light led strip, tangs and polarized cables with capacitive switch and connector. The profile has a cavity that can accommodate the inclusion of optional accessories using a coupling system.

Sample compliance:



Sample compliance must not be understood in the strict sense, given that there are tolerance margins due to product variations (colors, materials, sizes) caused by environmental factors (light, humidity, etc.).

KITCHEN BOX - Standard finishes

BASIC VERSION:

Melamine White with lacquered equipped door front panel - option A
Melamine White with lacquered front panels and outer structure sides - option B
Fenix top, Malè white finish.
Melamine White back.

PLUS VERSION:

Lacquered outside, melamine internal structure.
Fenix top, Malè white finish.
White back-painted glass back.

WARNINGS:

Pay attention to the distribution rules of finishes both for the unit parts and for the equipped door.

FINISHES DISTRIBUTION RULES: BASIC VERSION:

BASIC VERSION:

1 - UNIT: STRUCTURE

Melamine White
Lacquered with Cleicoloursystem, only outer sides and in the same color as the structure of the equipped door

UNIT: BACKS
Melamine White

UNIT: TOP
Fenix top, Malè white finish

2 - EQUIPPED DOOR: EXTERNAL STRUCTURE

Melamine White
Lacquered with Cleicoloursystem, only outer sides and in the same color as the unit

3 - EQUIPPED DOOR: FRONT PANELS/ FLAPPING PANEL

Lacquered with Cleicoloursystem

4 - EQUIPPED DOOR: TILTING TABLE TOP

Internal top: Fenix, Malè white finish
External top: RAL 9010 white laminate
Internal top: Fenix, Malè white finish - white laminate
External top: lacquered with Cleicoloursystem

5 - EQUIPPED DOOR: SHELVES

Melamine White

CABINETS AND UPPER CABINETS, structures:
Melamine White

DOORS AND DRAWERS:
Melamine White

GROOVE HANDLE, only for cabinets:
Painted in RAL 9010 matt white

RECESSED HANDLE, revolving equipped door:
Painted with stainless steel effect

BACKSPLASH FOR TOP:
Natural anodized aluminum finish

SKIRTING:
Satin-finish stainless steel

VERSIONE PLUS:

1 - UNIT: STRUCTURE

Lacquered with Cleicoloursystem, only outer sides and in the same color as the structure of the equipped door

UNIT: BACKS
Melamine White + white back painted glass

UNIT: TOP
Fenix top, Malè white finish, edge finish

2 - EQUIPPED DOOR: EXTERNAL STRUCTURE

Lacquered with Cleicoloursystem, only outer sides and in the same color as the unit

3 - EQUIPPED DOOR: FRONT PANELS/ FLAPPING PANEL

Lacquered with Cleicoloursystem

4 - EQUIPPED DOOR: TILTING TABLE TOP

Internal top: Fenix, Malè white finish
External top: RAL 9010
Internal top: Fenix, Malè white finish
External top: white laminate lacquered with Cleicoloursystem

5 - EQUIPPED DOOR: SHELVES

Melamine White

CABINETS AND UPPER CABINETS, structures:
Melamine White

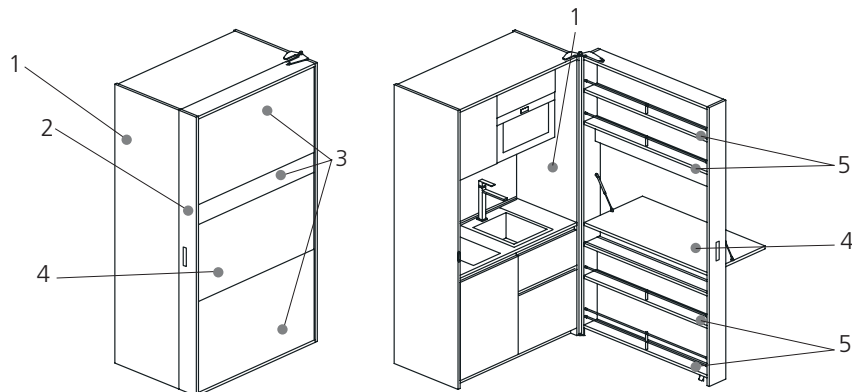
DOORS AND DRAWERS:
Lacquered with Cleicoloursystem

GROOVE HANDLE, only for cabinets:
Cleicoloursystem lacquered (same color as door/front)

RECESSED HANDLE, revolving equipped door:
Painted with stainless steel effect

BACKSPLASH FOR TOP:
Natural anodized aluminum finish

SKIRTING:
Satin-finish stainless steel



KITCHEN BOX - Standard finishes

GRID FINISHES	BASIC VERSION				PLUS VERSION			
	Melamine White	Lacquered	Fenix	RAL 9010 white lacquer	Melamine White	Lacquered	Fenix	White back painted glass
UNIT								
External structure	●	●				●		
Internal structure	●				●			
Groove handle for bases				●		●		
Cabinet structure	●				●			
Doors/drawers for lower cabinets	●					●		
Upper cabinet structure	●				●			
Upper cabinet doors	●					●		
Top			●				●	
Back	●							●
EQUIPPED DOOR								
External structure	●	●				●		
Internal structure	●				●			
Shelf	●				●			
Front panels/flapping panel		●				●		
Tilting table internal top			●				●	
Tilting table external top	RAL 9010 white laminate	●			RAL 9010 white laminate	●		

KITCHEN BOX - Handles

BASIC VERSION:

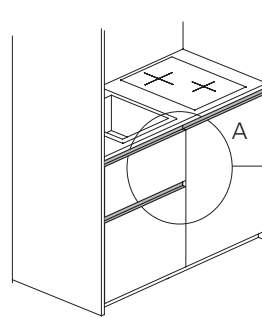
Unit:

Groove handle, RAL 9010 white finish, for doors and drawers of lower cabinets.
Flap up door for upper cabinets.

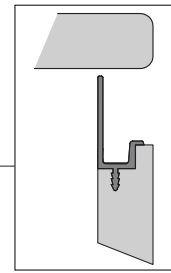
Revolving equipped door:

Recessed handle, in aluminum die-casting and Stainless steel effect paint finish.

Groove handles for doors and drawers or lower cabinets



DETAIL A section



PLUS VERSION:

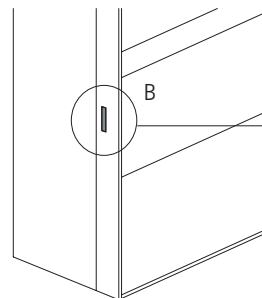
Unit:

Groove handle, lacquered finish for doors and drawers of lower cabinets.
Push-pull opening for upper cabinets doors.

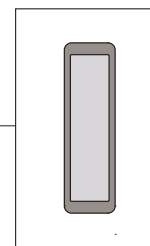
Revolving equipped door:

Recessed handle, in aluminum die-casting and Stainless steel effect paint finish.

Recessed handle for revolving equipped door



DETAIL B front view

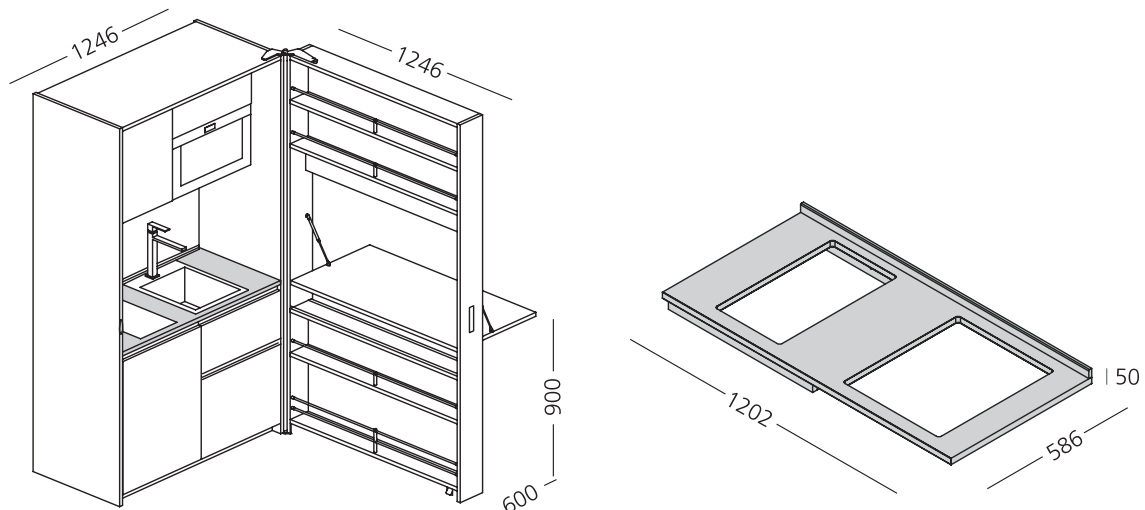


KITCHEN BOX - Top

The top, provided with backslash, is anchored with the bases and sides of the unit, by means of chains and cross pieces and is **not replaceable**.

To use customer hob and sink, not in the appliance kit, the top comes undrilled and with the price list indications for the compartment (page 351).

With the opening of the front panel of the equipped door, which serves as a top, this is perfectly aligned with the worktop in the kitchen unit (23 mm thickness) thereby increasing the space that can be used as a work surface.



KITCHEN BOX - Sizes and volumes - Basic and Plus versions

Closed

W 1246 mm x D 795 mm x H 2200 mm

Closed + open integrated table

W 1246 mm x D 1227 mm x H 900 mm (top from the ground) x H 2200 mm

Open

W 1860 mm x D 1882 mm x H 2200 mm

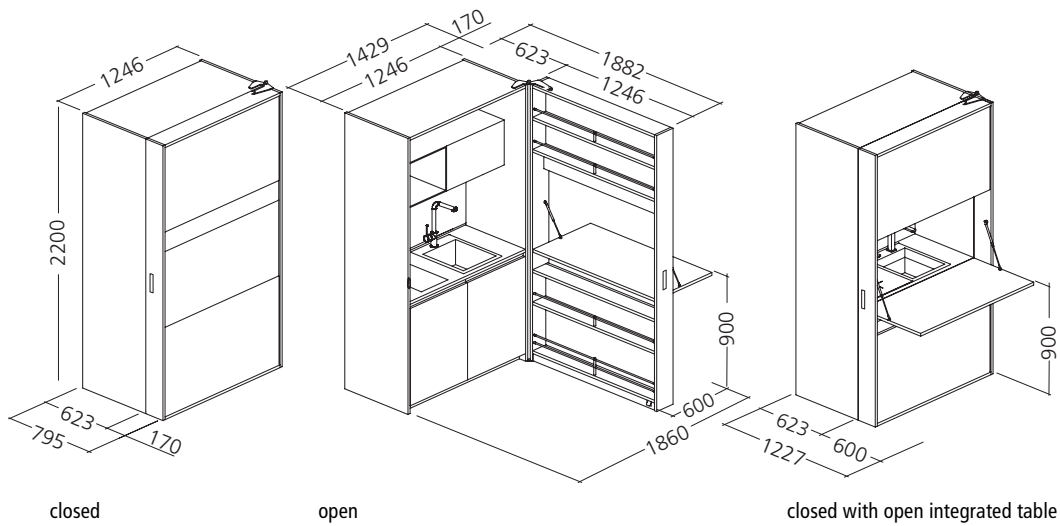
Fixed unit

W 1246 mm x D 623 mm x H 2200 mm

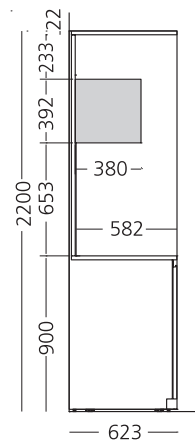
Equipped door with open table top

W 1246 mm x D 600 mm x H 900 mm (top from the ground) x H 2200 mm

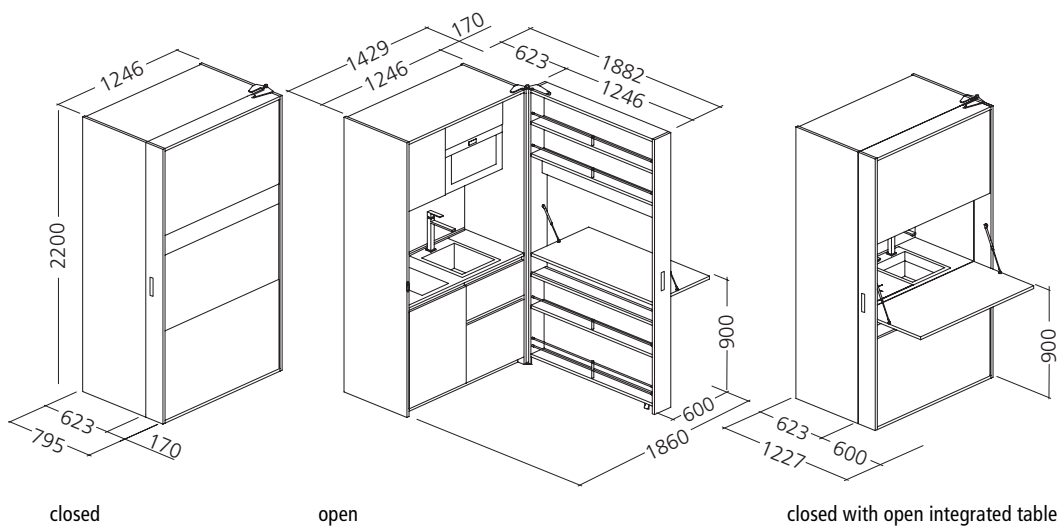
KITCHEN BOX- Basic version



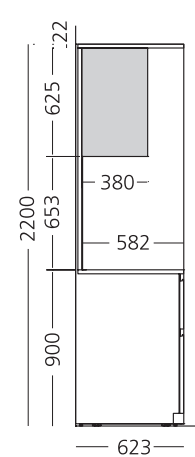
Section unit side



KITCHEN BOX- Plus version



Section unit side



KITCHEN BOX - Appliances kit

The kitchen comes with a compact appliances kit: refrigerator, dishwasher, built-in microwave, hob, hood, sink and mixer tap. The appliances kit models of the refrigerator, sink and mixer tap differ between the Basic and Plus versions.

In the Basic version, the built-in microwave oven is not provided.
A countertop microwave can be installed in the oven upper cabinet (not included).

The kitchen can be supplied without the appliances kit or with part of it.

Without hob and sink in the price list, the top comes undrilled (see table "Built-in appliances sizes").

APPLIANCES KIT

Version		Clei Code	Description	Manufacturer	Art. Code (Manufacturer)	Capacity	CL.	Appliances sizes			Price
BASIC	PLUS							L	P	H	
●	●	KBBPIND	FRIDGE	Smeg	SI5322B	2 induction zones	N.D.	300	515	52	
	●	KBPMIN	WHIRLPOOL MICROWAVE OVEN	Whirlpool	AMW 499/IX	22 Lt.	N.D.	595	320	353	
	●	KBPFRIG	SMEG FRIDGE	Smeg	UD7122CSP	122 Lt.	A+	597	545	819	
●		KBFRW913	WHIRLPOOL FRIDGE	Whirlpool	ARL392A+	126 Lt.	A+	596	545	815	
●	●	KBPLV55210	AEG DISHWASHER	AEG	55210	6 cop.	A+	550	500	438	
●	●	KBPCAPFIL	WHIRLPOOL HOOD*	Whirlpool	WAGELI66 ASX	-	E	524	289	148	
	●	KBPLAV	SMEG ALUMINUM COLOR RESIN SINK	Smeg	VZ40ALL	-	-	410	500	210	
●		KBBLAV	SMEG STEEL SINK	Smeg	VS34/P3	-	-	420	500	223	
	●	KBPMIS	SICILY CROMO MIXER TAP	Emmevi	ART.38007CR	-	-	-	-	300	
●		KBBMIS	SCHOCK AQUATREND CROMO MIXER TAP	Schock	15007800	-	-	-	-	350	

* Filter for filtering hood included

N.B.: Manufacturers do not guarantee maintenance in the range over time, as they are small sized appliances .

As a result, appliances shown in these pages are subject to variations, and we do not guarantee availability.

BUILT-IN APPLIANCES SIZES

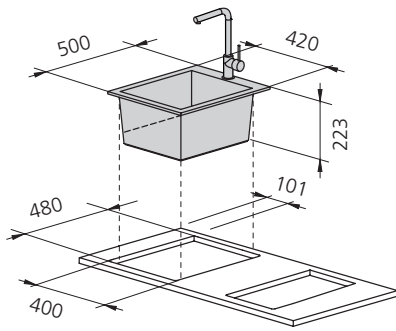
Version		Description	Manufacturer	Art. Code	Compartment sizes		
BASIC	PLUS				L	P	H
●	●	SMEG INDUCTION HOB	Smeg	SI5322B	270	490	50
	●	WHIRLPOOL MICROWAVE OVEN	Whirlpool	AMW 499/IX	562	354	357
	●	SMEG FRIDGE	Smeg	UD7122CSP	825	594	601
●		WHIRLPOOL FRIDGE	Whirlpool	ARL392A+	825	594	601
●	●	AEG DISHWASHER	AEG	55210	562	450	500
●	●	WHIRLPOOL HOOD	Whirlpool	WAGELI66 ASX	496	260	140
	●	SMEG ALUMINIUM COLOR RESIN SINK	Smeg	VZ40ALL	390	480	210
●		SMEG STEEL SINK	Smeg	VS34/P3	400	480	210
	●	SICILY CROMO MIXER TAP	Emmevi	ART.38007CR	-	-	-
●		SCHOCK AQUATREND CROMO MIXER TAP	Schock	15007800	-	-	-

KITCHEN BOX - Glossary

Icons to facilitate the identification of the appliances kit proposed in the different Kitchen Box configurations.

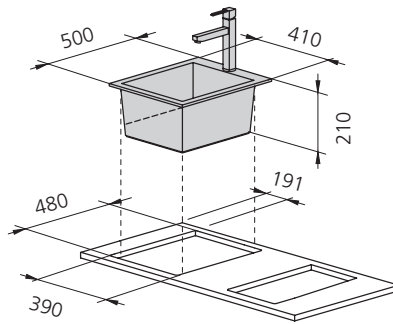


KITCHEN BOX - Technical diagrams of compartments for standard built-in appliances



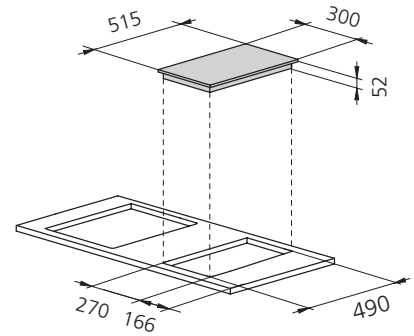
SINK:

- Basic Version:
Art. code VS34/P3. Steel finish. Smeg



SINK:

- Plus Version:
Art. code VZ40ALL, aluminum resin finish. Smeg



INDUCTION HOB:

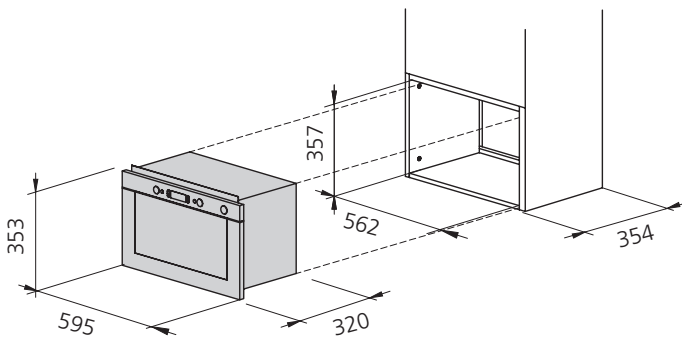
- Basic Version and Plus Version:
Art. code SI5322B. Smeg

MIXER TAP:

- Basic Version:
Aquatrend model. Chrome finish. Schock

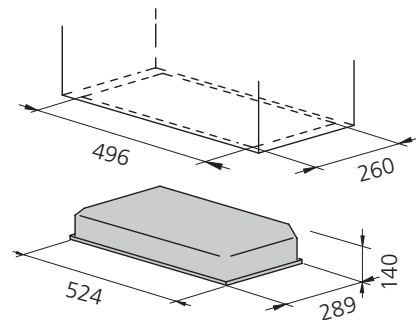
MIXER TAP:

- Plus Version:
Sicily model. Chrome finish. Emmevi



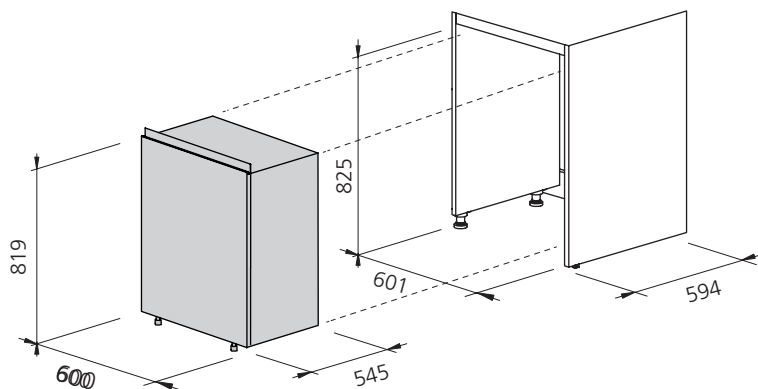
MICROWAVE:

- Plus Version:
Art. code AMW 499/IX. 22 L, Whirlpool



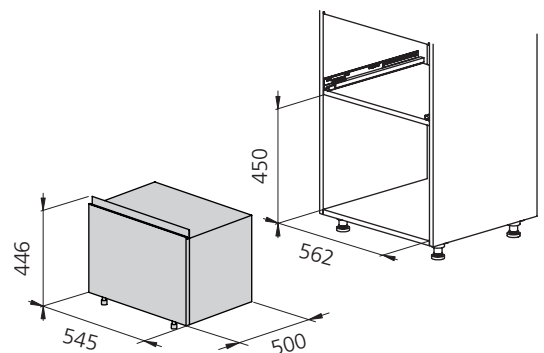
FILTERING HOOD:

- Plus and Basic Version:
Art. code WAGELI66 ASX. Whirlpool



FRIDGE:

- Basic Version:
Art. code ARL392A+ fridge + freezer.
126 L, Whirlpool with self-supporting hinge



DISHWASHER:

- Basic Version and Plus Version
Art. code 55210. 6 place settings. AEG



Check that the build-in instructions provided in the instruction manual of the appliance are carried out.

KITCHEN BOX - Basic Version - Arrangement of electrical and hydraulic systems

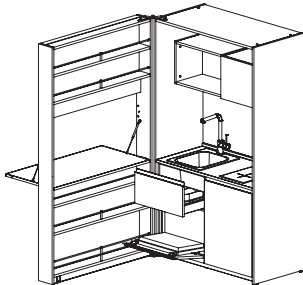
Positions of connections, drains and electrical outlets in the configuration with all appliances: hood – countertop microwave (not supplied) – sink with mixer tap – cooking hob - dishwasher - refrigerator.

WARNINGS:

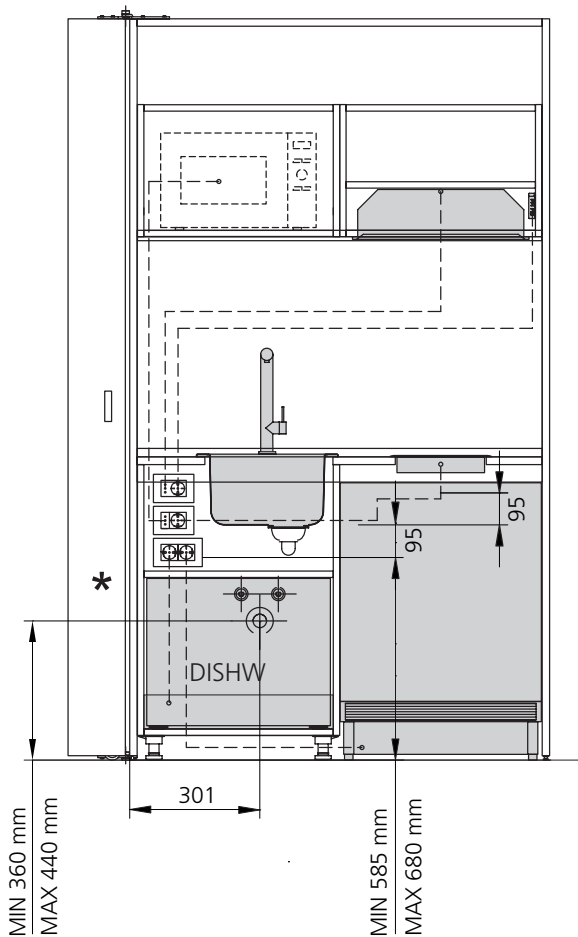
The position of the sink connections and drains in the Basic version is different from the Plus version.

For kitchens provided with a device that deactivates the hob and microwave power supply please refer to the wiring system and water diagram page 364.

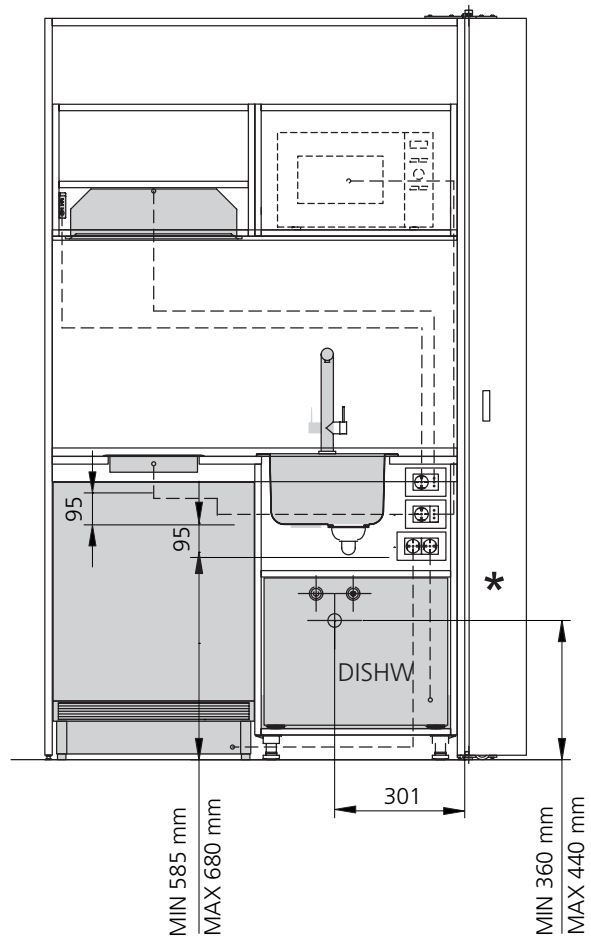
Example of arrangement of Basic version systems (KBB03CS configuration)



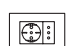



Arrangement for version with equipped left door



Arrangement for version with equipped right door



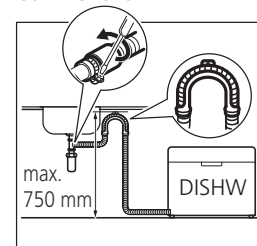
KEY TO SYMBOLS

-  power socket
2 x 16A + 10A
-  power socket
2 x 16A
-  hot/cold water supply point
-  water drain

N.B.:

- * with dishwasher H 446 mm

DISHWASHER CONNECTIONS DETAIL



All installation work on the water system must be performed by qualified personnel.

KITCHEN BOX - Plus Version - Arrangement of electrical and hydraulic systems

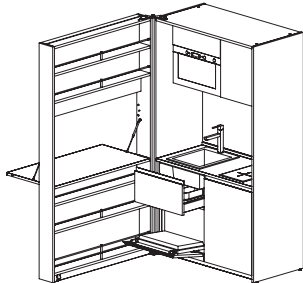
Positions of connections, drains and electrical outlets in the configuration with all appliances: hood - microwave - sink with mixer tap - cooking hob - dishwasher - refrigerator.

WARNINGS:

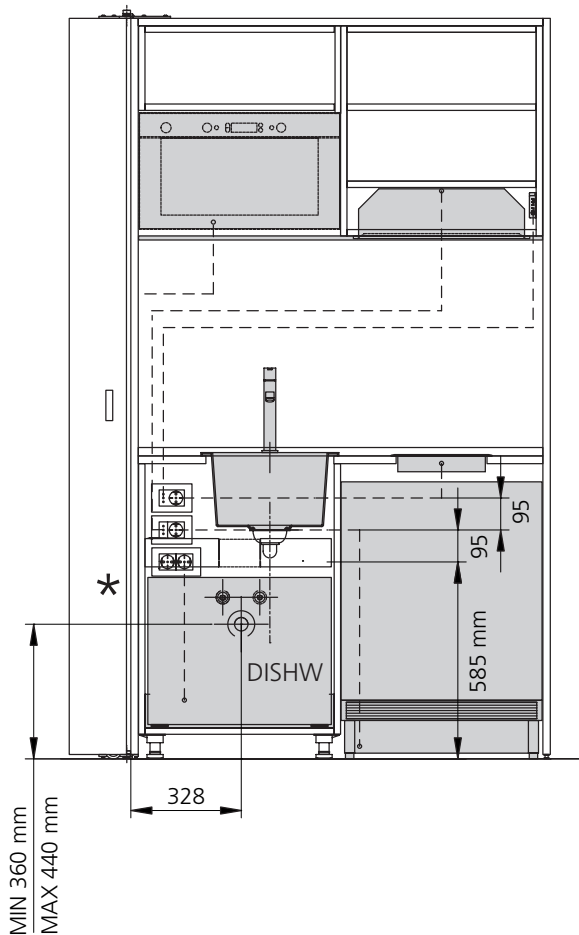
The position of the sink connections and drains in the Basic version is different from the Plus version.

For kitchens provided with a device that deactivates the hob and microwave power supply please refer to the wiring system and water diagram page 365.

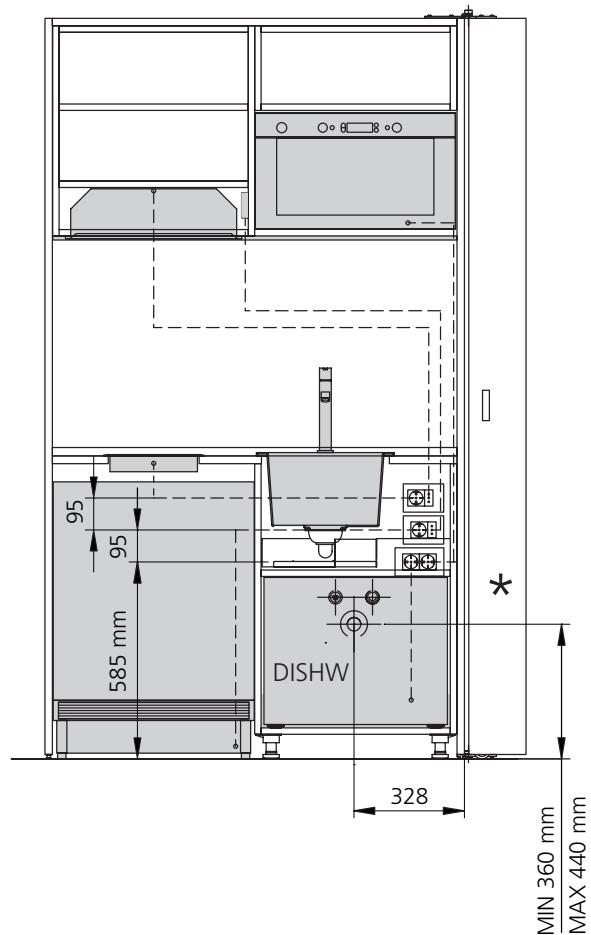
Example of arrangement of Plus version systems (KBP04BS configuration)



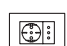
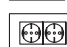


Arrangement for version with equipped left door



Arrangement for version with equipped right door



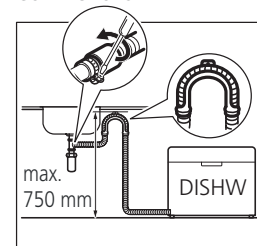
KEY TO SYMBOLS

-  power socket
2 x 16A + 10A
-  power socket
2 x 16A
-  hot/cold water supply point
-  water drain

N.B.:

- * with dishwasher H 446 mm

DISHWASHER CONNECTIONS DETAIL

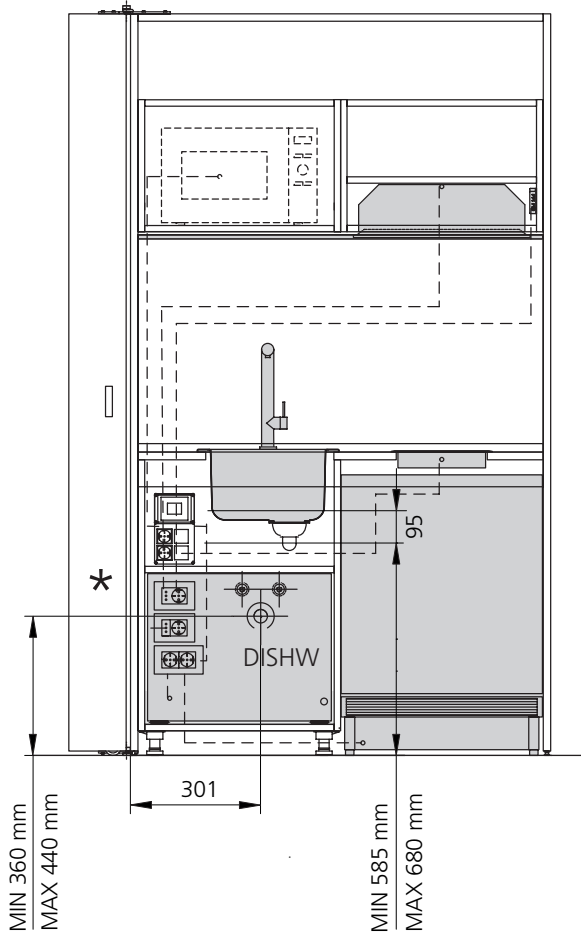


All installation work on the water system must be performed by qualified personnel.

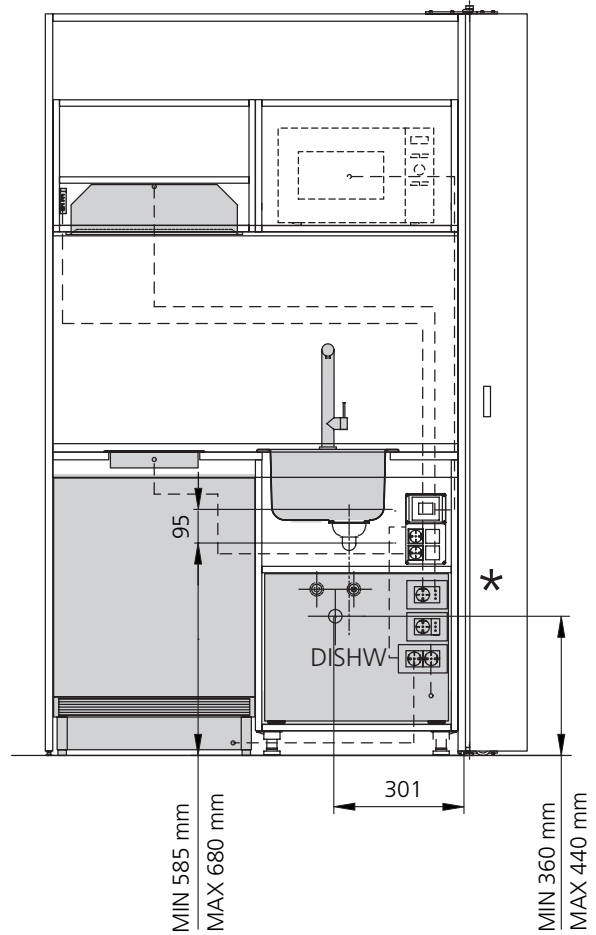
KITCHEN BOX - Basic Version - Hob and microwave power supply deactivation device

The kitchen is designed to accommodate an auxiliary device that deactivates the hob and microwave power supply when it is closed. When the revolving door is opened, the power supply is reactivated.
 Device conforming to IEC standards, EN 61439 - part 1 and 2, and EC legislation 2006/95/EC. **CE**

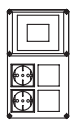
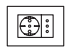
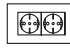
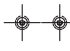

Arrangement for version with left equipped door



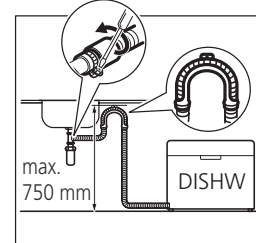
Arrangement for version with equipped right door



KEY TO SYMBOLS

-  Deactivation device for hob and microwave
-  power socket
2 x 16A + 10A
-  power socket
2 x 16A
-  hot/cold water supply point
-  water drain
- N.B.:
* with dishwasher H 446 mm

DISHWASHER CONNECTIONS DETAIL

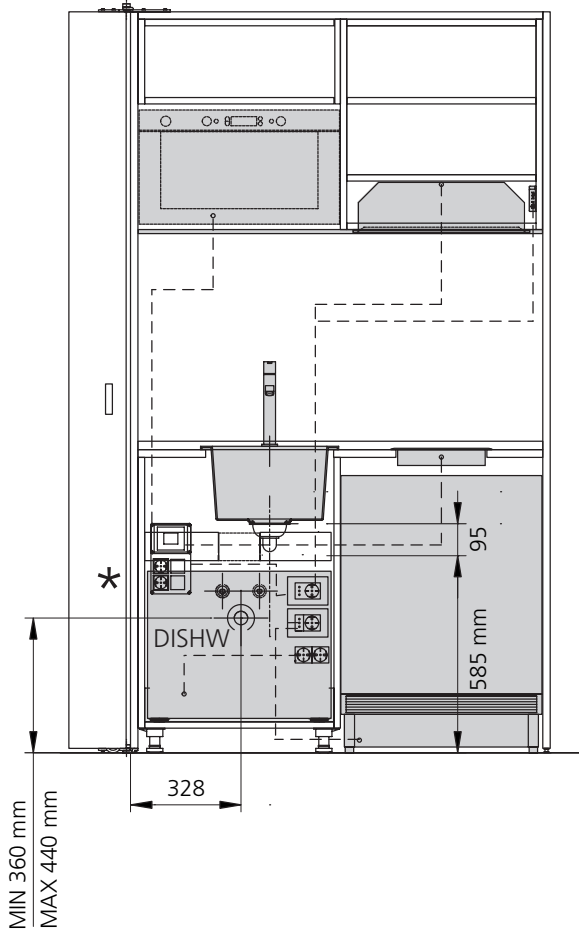


All installation work on the water system must be performed by qualified personnel.

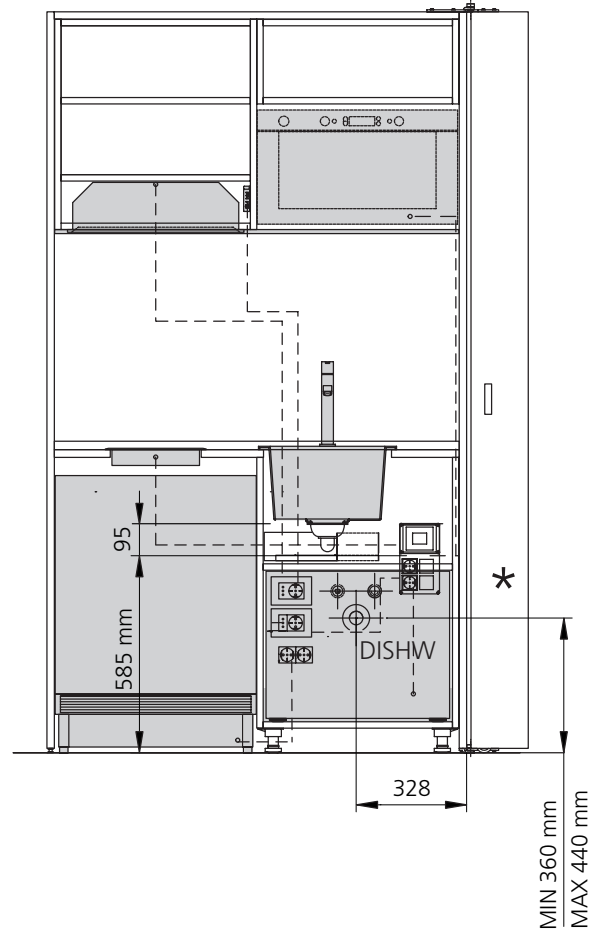
KITCHEN BOX - Plus Version - Hob and microwave power supply deactivation device

The kitchen is designed to accommodate an auxiliary device that deactivates the hob and microwave power supply when it is closed. When the revolving door is opened, the power supply is reactivated.
 Device conforming to IEC standards, EN 61439 - part 1 and 2, and EC legislation 2006/95/EC. **CE**

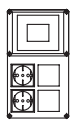
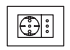
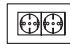
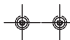

Arrangement for version with left equipped door



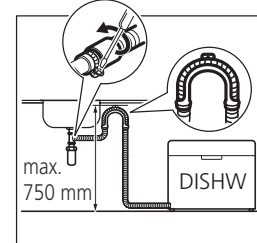
Arrangement for version with equipped right door



KEY TO SYMBOLS

-  Deactivation device for hob and microwave
-  power socket
2 x 16A + 10A
-  power socket
2 x 16A
-  hot/cold water supply point
-  water drain
- N.B.:
* with dishwasher H 446 mm

DISHWASHER CONNECTIONS DETAIL



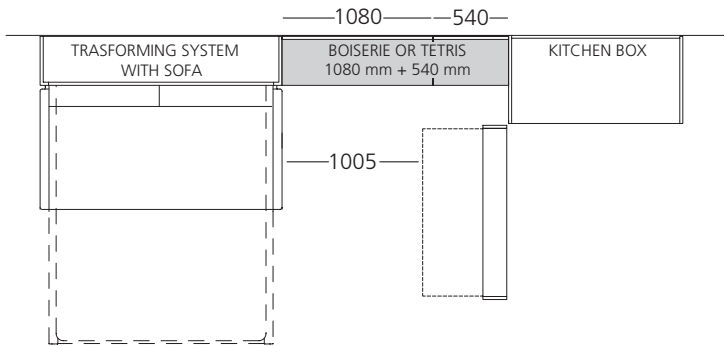
All installation work on the water system must be performed by qualified personnel.

KITCHEN BOX - Combination rules with transforming systems

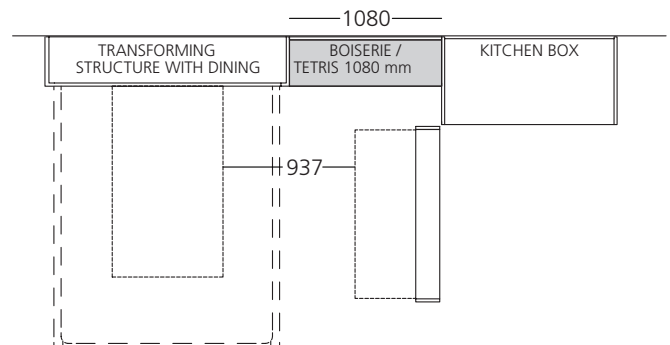
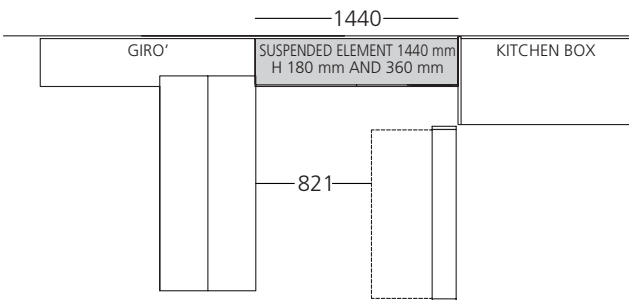
To combine the kitchen with transforming systems a minimum functional distance is mandatory. Provide for the insertion of open elements or spacing strip.

NOTES FOR DESIGN

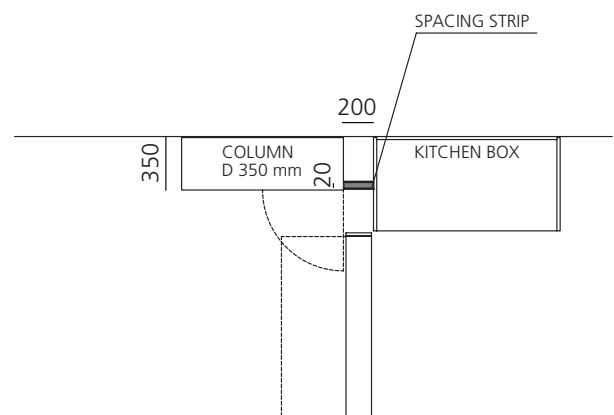
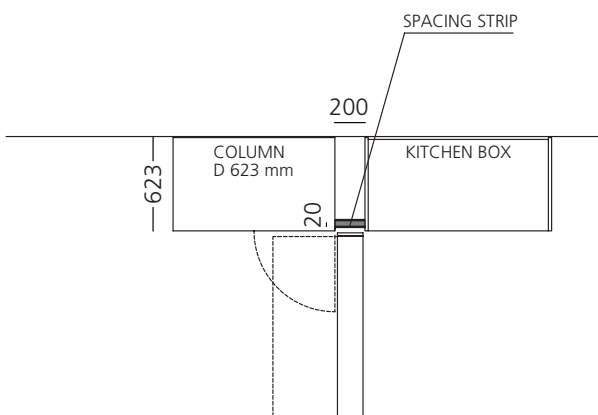
Combination with sofa systems. Minimum distance with front kitchen panel open.



Combination with table systems. Minimum distance with front kitchen panel open.

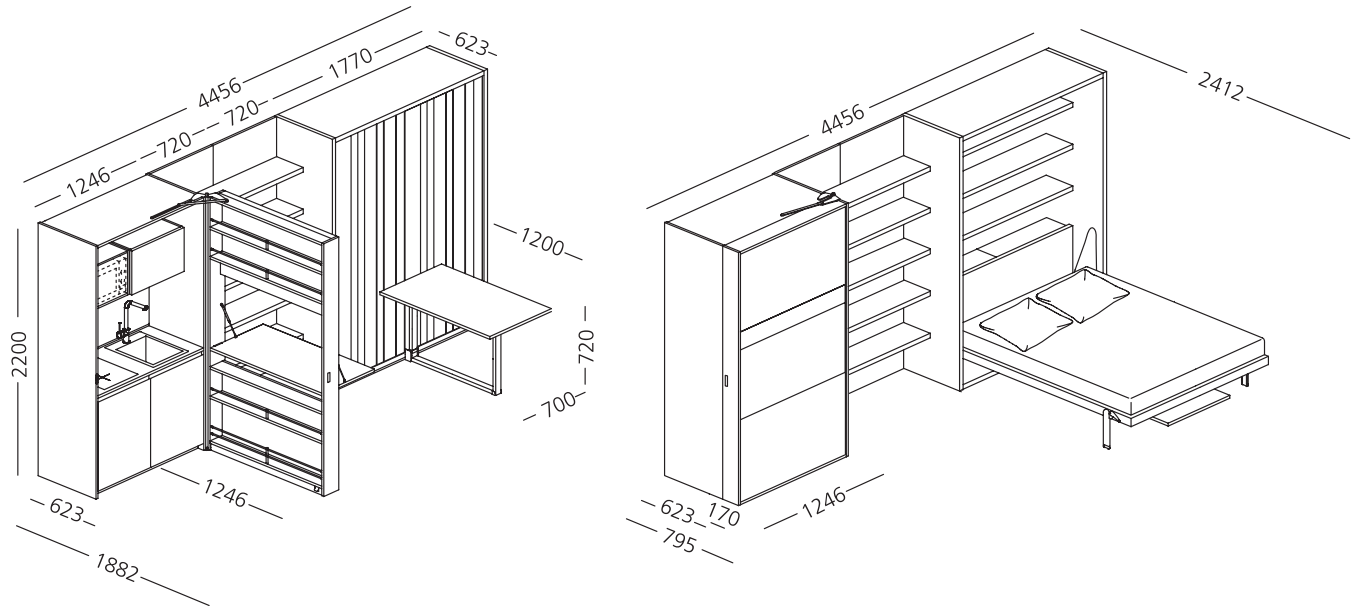


Only in the case of combination of storages, H 2200 mm, it is necessary to use a spacing strip on the same side of the revolving door opening (page 377).

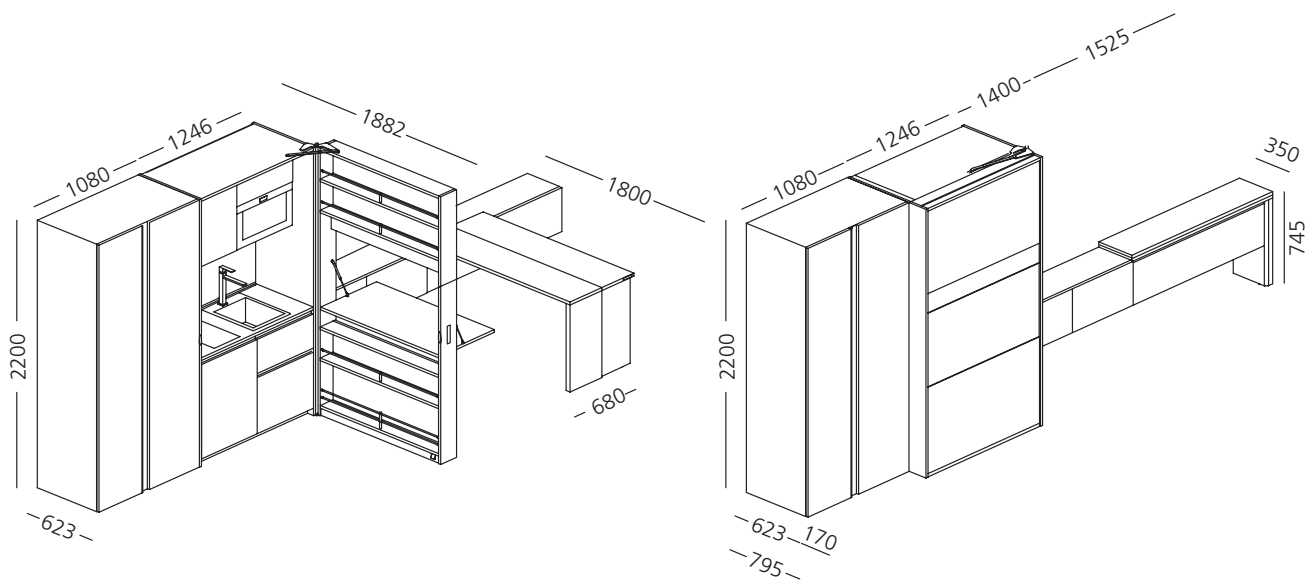


COMPOSITION EXAMPLES:

Kitchen Box – Basic and Penelope 2 Dining version, D 62.3



Kitchen Box – Plus and Girò version with storage element H 360 mm and suspended unit H 360 mm



KITCHEN BOX - Basic Version - fixed layout configurations

Foldaway kitchen with unit and revolving door organized as a bi-folding pantry. Fixed layout configurations with multiple variations.

WARNINGS:

Always specify the opening of the equipped door (right-left)
 - Surcharge for power deactivation device of the hob and microwave (standby mode)

KBINTEU €

cod. **KBB01AMD - KBB01AMS**

Composition:

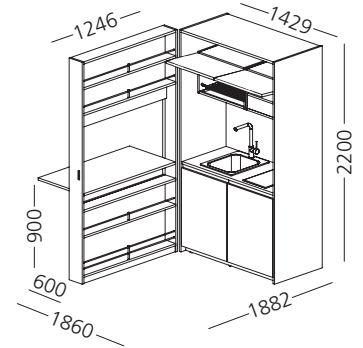
- Sink cabinet with door
- Cabinet with door for fridge
- Upper cabinet with door with draining rack
- Upper cabinet door for filtering hood

Appliances:

- Steel sink
- Mixer tap
- Induction hob
- Fridge
- Filtering hood

KBBLAV
 KBBMIS
 KBBPIND
 KBBFRIG
 KBPCAP

Price



Accessories not included



Melamine White finish with equipped door front panels lacquered (option A) - Fenix top

Melamine White finish with front panels and outer structure sides (option B) - Fenix top

Appliances kit

TOTAL COMPOSITION WITH APPLIANCES

cod. **KBB01BMD - KBB01BMS**

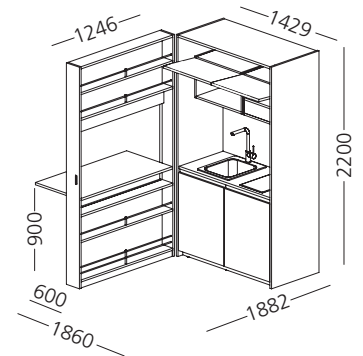
Composition:

- Sink cabinet with door
- Cabinet with door for fridge
- Upper cabinet with door
- Upper cabinet door for filtering hood

Appliances:

- Steel sink
- Mixer tap
- Induction hob
- Fridge
- Filtering hood

KBBLAV
 KBBMIS
 KBBPIND
 KBBFRIG
 KBPCAP



Accessories not included



Melamine White finish with equipped door front panels lacquered (option A) - Fenix top

Melamine White finish with front panels and outer structure sides lacquered (option B) - Fenix top

Appliances kit

TOTAL COMPOSITION WITH APPLIANCES

cod. **KBB01CMD - KBB01CMS**

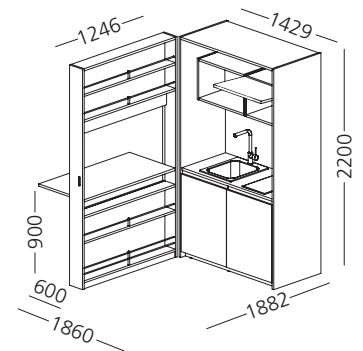
Composition:

- Sink cabinet with door
- Cabinet with door for fridge
- Upper cabinet with door
- Open upper cabinet

Appliances:

- Steel sink
- Mixer tap
- Induction hob
- Fridge

KBBLAV
 KBBMIS
 KBBPIND
 KBBFRIG



Accessories not included



Melamine White finish with equipped door front panels lacquered (option A) - Fenix top

Melamine White finish with front panels and outer structure sides lacquered (option B) - Fenix top

Appliances kit

TOTAL COMPOSITION WITH APPLIANCES

KITCHEN BOX - Basic Version - fixed layout configurations

Foldaway kitchen with unit and revolving door organized as a bi-folding pantry. Fixed layout configurations with multiple variations.

WARNINGS:

- Always specify the opening of the equipped door (right-left)
- Surcharge for power deactivation device of the hob and microwave (standby mode)

KBINTEU €

cod. **KBB01DMD - KBB01DMS**

Composition:

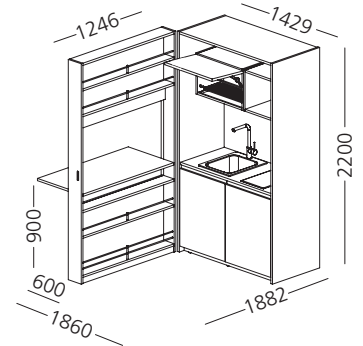
- Sink cabinet with door
- Cabinet with door for fridge
- Upper cabinet with door with draining rack
- Open upper cabinet

Appliances:

- Steel sink
- Mixer tap
- Induction hob
- Fridge

KBBLAV
KBBMIS
KBBPIND
KBBFRIG

Price



Accessories not included



Melamine White finish with equipped door front panels lacquered (option A) - Fenix top

Melamine White finish with front panels and outer structure sides lacquered (option B) - Fenix top

Appliances kit

TOTAL COMPOSITION WITH APPLIANCES

cod. **KBB01EMD - KBB01EMS**

Composition:

- Sink cabinet with door
- Cabinet with door for fridge
- Upper cabinet with door with draining rack
- Upper cabinet with door

Appliances:

- Steel sink
- Mixer tap
- Induction hob
- Fridge

KBBLAV
KBBMIS
KBBPIND
KBBFRIG

Accessories not included

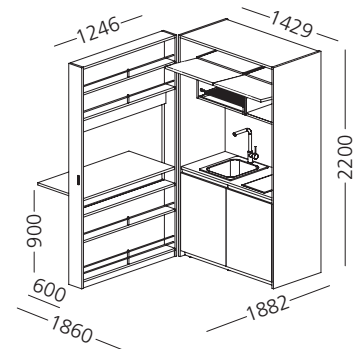


Melamine White finish with equipped door front panels lacquered (option A) - Fenix top

Melamine White finish with lacquered structure fronts and outer sides (option B) - Fenix top

Appliances kit

TOTAL COMPOSITION WITH APPLIANCES



cod. **KBB02AMD - KBB02AMS**

Composition:

- Sink cabinet with door
- Cabinet with 3 drawers
- Upper cabinet with door with draining rack
- Upper cabinet door for filtering hood

Appliances:

- Steel sink
- Mixer tap
- Induction hob
- Filtering hood

KBBLAV
KBBMIS
KBBPIND
KBPCAP

Accessories not included

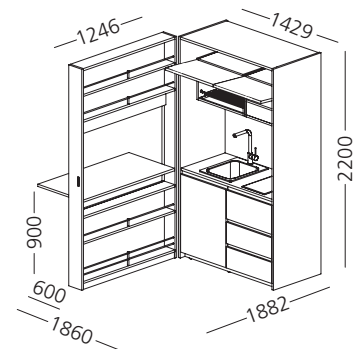


Melamine White finish with equipped door front panels lacquered (option A) - Fenix top

Melamine White finish with front panels and outer structure sides lacquered (option B) - Fenix top

Appliances kit

TOTAL COMPOSITION WITH APPLIANCES



KITCHEN BOX - Basic Version - fixed layout configurations

Foldaway kitchen with unit and revolving door organized as a bi-folding pantry. Fixed layout configurations with multiple variations.

WARNINGS:

- Always specify the opening of the equipped door (right-left)
- Surcharge for power deactivation device of the hob and microwave (standby mode)

KBINTEU €

cod. **KBB02BMD - KBB02BMS**

Composition:

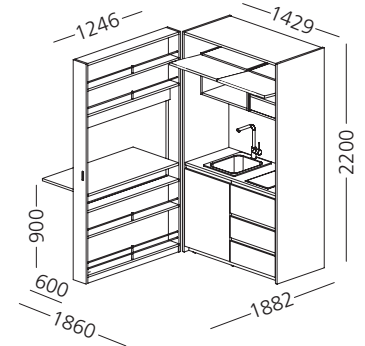
- Sink cabinet with door
- Cabinet with 3 drawers
- Upper cabinet with door
- Upper cabinet with door for hood

Appliances:

- Steel sink
- Mixer tap
- Induction hob
- Filtering hood

**KBBLAV
KBBMIS
KBBPIND
KBPCAP**

Price



Accessories not included



Melamine White finish with equipped door front panels lacquered (option A) - Fenix top

door front panels lacquered (option A) - Fenix top
structure sides lacquered (option B) - Fenix top

Appliances kit

TOTAL COMPOSITION WITH APPLIANCES

cod. **KBB02CMD - KBB02CMS**

Composition:

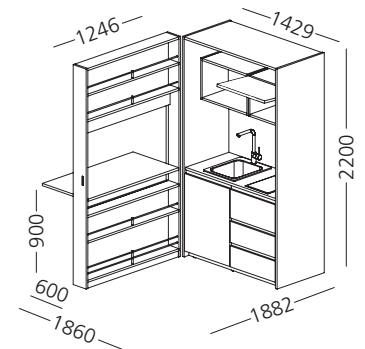
- Sink cabinet with door
- Cabinet with 3 drawers
- Upper cabinet with door
- Open upper cabinet

Appliances:

- Steel sink
- Mixer tap
- Induction hob

**KBBLAV
KBBMIS
KBBPIND**

Accessories not included



Melamine White finish with equipped door front panels lacquered (option A) - Fenix top

Melamine White finish with front panels and outer structure sides lacquered (option B) - Fenix top

Appliances kit

TOTAL COMPOSITION WITH APPLIANCES

cod. **KBB02DMD - KBB02DMS**

Composition:

- Sink cabinet with door
- Cabinet with 3 drawers
- Upper cabinet with door with draining rack
- Open upper cabinet

Appliances:

- Steel sink
- Mixer tap
- Induction hob

**KBBLAV
KBBMIS
KBBPIND**

Accessories not included

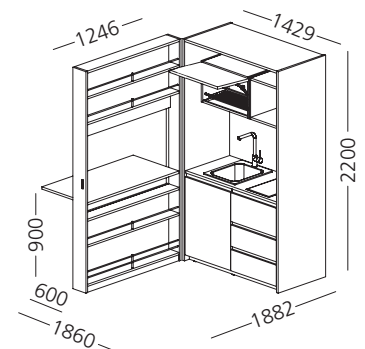


White melamine finish with equipped door front panels lacquered (option A) - Fenix top

White melamine finish with front panels and outer structure sides (lacquered option B) - Fenix top

Appliances kit

TOTAL COMPOSITION WITH APPLIANCES



KITCHEN BOX - Basic Version - fixed layout configurations

Foldaway kitchen with unit and revolving door organized as a bi-folding pantry. Fixed layout configurations with multiple variations.

WARNINGS:

- Always specify the opening of the equipped door (right-left)
- Surcharge for power deactivation device of the hob and microwave (standby mode)

KBINTEU €

cod. **KBB02EMD - KBB02EMS**

Composition:

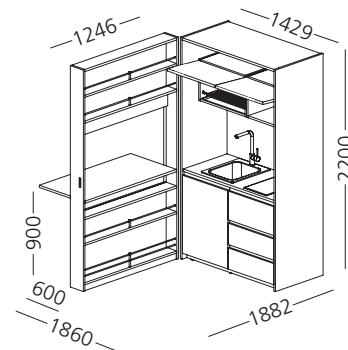
- Sink cabinet with door
- Cabinet with 3 drawers
- Upper cabinet with door with draining rack
- Upper cabinet with door

Appliances:

- Steel sink
- Mixer tap
- Induction hob

KBBLAV
KBBMIS
KBBPIND

Price



Accessories not included



Melamine White finish with equipped door front panels lacquered (option A) - Fenix top

Melamine White finish with lacquered structure fronts and outer sides (option B) - Fenix top

Appliances kit

TOTAL COMPOSITION WITH APPLIANCES

cod. **KBB03AMD - KBB03AMS**

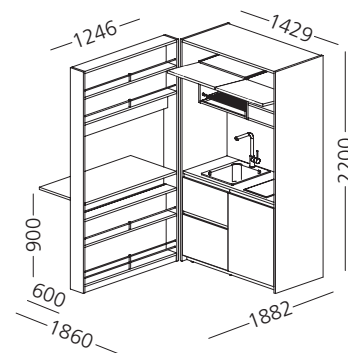
Composition:

- Undersink unit with drawer + front, dishwasher
- Cabinet with door for fridge
- Upper cabinet with door with draining rack
- Upper cabinet door for filtering hood

Appliances:

- Steel sink
- Mixer tap
- Induction hob
- Fridge
- Dishwasher
- Filtering hood

KBBLAV
KBBMIS
KBBPIND
KBBFRIG
KBPLVS
KBPCAP



Accessories not included



Melamine White finish with equipped door front panels lacquered (option A) - Fenix top

White melamine finish with front panels and outer structure sides lacquered (option B) - Fenix top

Appliances kit

TOTAL COMPOSITION WITH APPLIANCES

cod. **KBB03BMD - KBB03BMS**

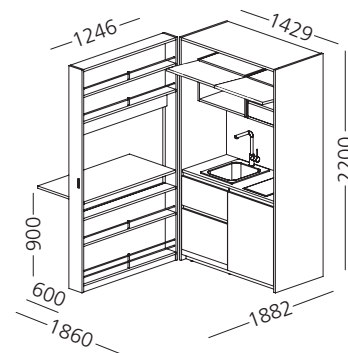
Composition:

- Sink cabinet with drawer + dishwasher front panel
- Cabinet with door for fridge
- Upper cabinet with door
- Upper cabinet door for filtering hood

Appliances:

- Steel sink
- Mixer tap
- Induction hob
- Fridge
- Dishwasher
- Filtering hood

KBBLAV
KBBMIS
KBBPIND
KBBFRIG
KBPLVS
KBPCAP



Accessories not included



Melamine White finish with equipped door front panels lacquered (option A) - Fenix top

Melamine White finish with front panels and outer structure sides lacquered (option B) - Fenix top

Appliances kit

TOTAL COMPOSITION WITH APPLIANCES

KITCHEN BOX - Basic Version - fixed layout configurations

Foldaway kitchen with unit and revolving door organized as a bi-folding pantry. Fixed layout configurations with multiple variations.

WARNINGS:

- Always specify the opening of the equipped door (right-left)
- Surcharge for power supply deactivation device of the hob and microwave (stand-by mode)

KBINTEU €

cod. **KBB03CMD - KBB03CMS**

Composition:

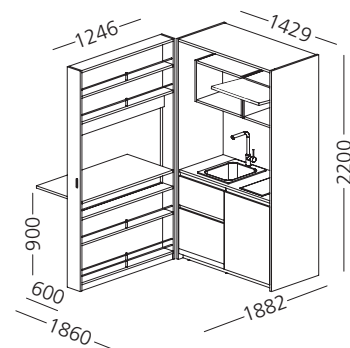
- Sink cabinet with drawer + dishwasher front panel
- Cabinet with door for fridge
- Upper cabinet with door
- Open upper cabinet

Appliances:

- Steel sink
- Mixer tap
- Induction hob
- Fridge
- Dishwasher

KBBLAV
KBBMIS
KBBPIND
KBBFRIG
KBPLVS

Price



Accessories not included



Melamine White finish with equipped door front panels lacquered (option A) - Fenix top

Melamine White finish with front panels and outer structure sides lacquered (option B) - Fenix top

Appliances kit

TOTAL COMPOSITION WITH APPLIANCES

cod. **KBB03DMD - KBB03DMS**

Composition:

- Sink cabinet with drawer + dishwasher front panel
- Cabinet with door for fridge
- Upper cabinet with door with draining rack
- Open upper cabinet

Appliances:

- Steel sink
- Mixer tap
- Induction hob
- Fridge
- Dishwasher

KBBLAV
KBBMIS
KBBPIND
KBBFRIG
KBPLVS

Accessories not included

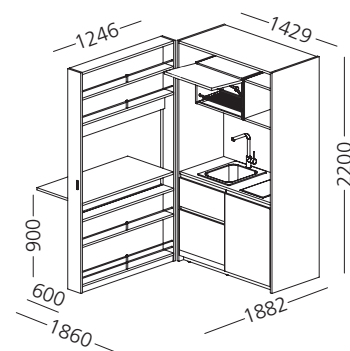


Melamine White finish with equip door front panels lacquered (option A) - Fenix top

Melamine White finish with front panels and outer structure sides lacquered (option B) - Fenix top

Appliances kit

TOTAL COMPOSITION WITH APPLIANCES



cod. **KBB03EMD - KBB03EMS**

Composition:

- Sink cabinet with drawer + dishwasher front panel
- Cabinet with door for fridge
- Upper cabinet with door with draining rack
- Upper cabinet with door

Appliances:

- Steel sink
- Mixer tap
- Induction hob
- Fridge
- Dishwasher

KBBLAV
KBBMIS
KBBPIND
KBBFRIG
KBPLVS

Accessories not included

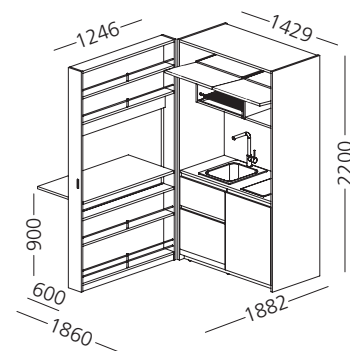


Melamine White finish with equipped door front panels lacquered (option A) - Fenix top

Melamine White finish with front panels and outer structure sides lacquered (option B) - Fenix top

Appliances kit

TOTAL COMPOSITION WITH APPLIANCES



KITCHEN BOX - Plus Version - fixed layout configurations

Foldaway kitchen with unit and revolving door organized as a bi-folding pantry. Fixed layout configurations with multiple variations.

WARNINGS:

- Always specify the opening of the equipped door (right-left)
- Surcharge for power supply deactivation device of the hob and microwave (stand-by mode)

KBINTEU €

cod. KBP01AMD - KBP01AMS

Composition:

- Sink cabinet with drawer + basket drawer
- Cabinet door for fridge
- Upper cabinet with door with draining rack
- Upper cabinet with door for filtering hood

Accessories not included

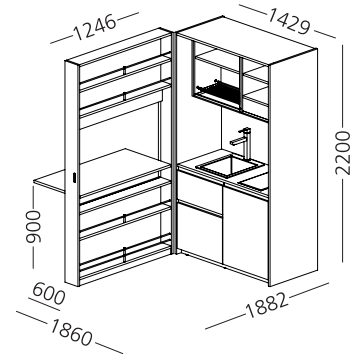


Appliances:

- Resin sink
- Mixer tap
- Induction hob
- Fridge
- Filtering hood

KBPLAV
KBPMIS
KBBPIND
KBPFRI
KBPCAP

Price



Melamine White finish with front panels, outer sides, front low panels and upper cabinets in lacquer - Fenix top

Appliances kit

TOTAL COMPOSITION WITH APPLIANCES

cod. KBP01BMD - KBP01BMS

Composition:

- Undersink unit with drawer + basket drawer
- Base door for fridge
- Upper cabinet with door for microwave
- Upper cabinet with door for filtering hood

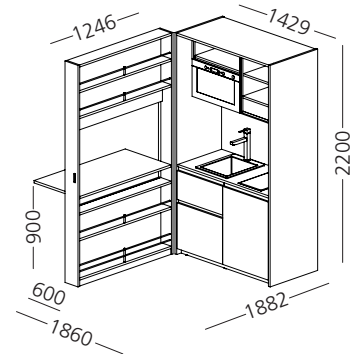
Accessories not included



Appliances:

- Resin sink
- Mixer tap
- Induction hob
- Fridge
- Filtering hood
- Built-in microwave oven

KBPLAV
KBPMIS
KBBPIND
KBPFRI
KBPCAP
KBPMIN



Melamine White finish with front panels, outer sides, front low panels and upper cabinets in lacquer - Fenix top

Appliances kit

TOTAL COMPOSITION WITH APPLIANCES

cod. KBP01CMD - KBP01CMS

Composition:

- Sink cabinet with drawer + basket drawer
- Cabinet door for fridge
- Upper cabinet with door for microwave
- Upper cabinet with door with draining rack

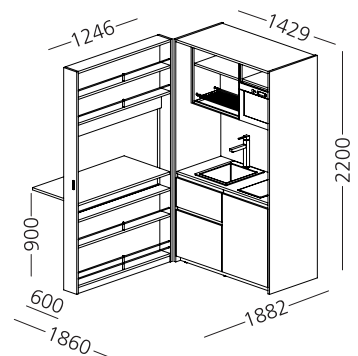
Accessories not included



Appliances:

- Resin sink
- Mixer tap
- Induction hob
- Fridge
- Built-in microwave oven

KBPLAV
KBPMIS
KBBPIND
KBPFRI
KBPCAP
KBPMIN



Melamine White finish with front panels, outer sides, front low panels and upper cabinets in lacquer - Fenix top

Appliances kit

TOTAL COMPOSITION WITH APPLIANCES

N.B.: - Upper cabinets represented without doors
- Upper cabinet with microwave and upper door

KITCHEN BOX - Plus Version - fixed layout configurations

Foldaway kitchen with unit and revolving door organized as a bi-folding pantry. Fixed layout configurations with multiple variations.

WARNINGS:

- Always specify the opening of the equipped door (right-left)
- Surcharge for power deactivation device of the hob and microwave (stand-by mode)

KBINTEU €

cod. KBP02AMD - KBP02AMS

Composition:

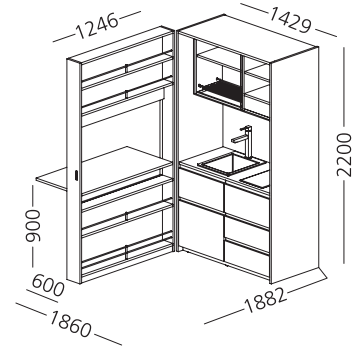
- Sink cabinet with drawer + basket drawer
- Cabinet with 3 drawers
- Upper cabinet with door with draining rack
- Upper cabinet with door for filtering hood

Appliances:

- Resin sink
- Mixer tap
- Induction hob
- Filtering hood

KBPLAV
KBPMIS
KBBPIND
KBPCAP

Price



Accessories not included



Melamine White finish with front panels, outer sides, front low panels and upper cabinets in lacquer - Fenix top

Appliances kit

TOTAL COMPOSITION WITH APPLIANCES

cod. KBP02BMD - KBP02BMS

Composition:

- Sink cabinet with drawer + basket drawer
- Cabinet with 3 drawers
- Upper cabinet with door for microwave
- Upper cabinet with door for filtering hood

Appliances:

- Resin sink
- Mixer
- Induction hob
- Filtering hood
- Built-in microwave oven

KBPLAV
KBPMIS
KBBPIND
KBPCAP
KBPMIN

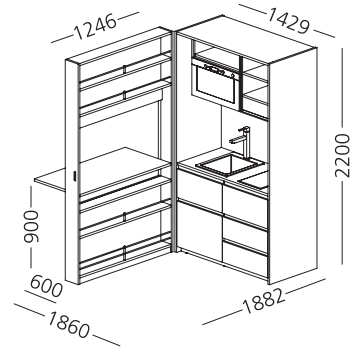
Accessories not included



Melamine White finish with front panels, outer sides, front low panels and upper cabinets in lacquer - Fenix top

Appliances kit

TOTAL COMPOSITION WITH APPLIANCES



cod. KBP02CMD - KBP02CMS

Composition:

- Sink cabinet with drawer + basket drawer
- Cabinet with 3 drawers
- Upper cabinet with door for microwave
- Upper cabinet door with draining rack

Appliances:

- Resin sink
- Mixer
- Induction hob
- Built-in microwave oven

KBPLAV
KBPMIS
KBBPIND
KBPMIN

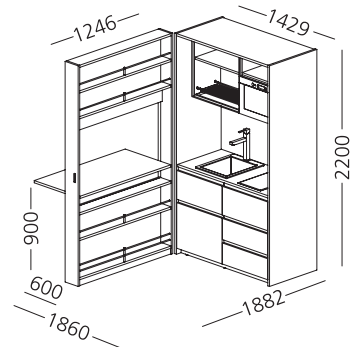
Accessories not included



Melamine White finish with front panels, outer sides, front low panels and upper cabinets in lacquer - Fenix top

Appliances kit

TOTAL COMPOSITION WITH APPLIANCES



N.B.: - Upper cabinets represented without doors
- Upper cabinet with microwave and upper door

KITCHEN BOX - Plus Version - fixed layout configurations

Foldaway kitchen with unit and revolving door organized as a bi-folding pantry. Fixed layout configurations with multiple variations.

WARNINGS:

- Always specify the opening of the equipped door (right-left)
- Surcharge for power deactivation device of the hob and microwave (stand-by mode)

KBINTEU €

cod. KBP03AMD - KBP03AMS

Composition:

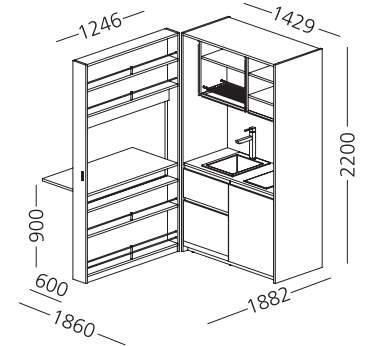
- Sink cabinet with draw.+ dishwasher front panel
- Cabinet door for fridge
- Upper cabinet with door for filtering hood
- Upper cabinet with door with draining rack

Appliances:

- Resin sink
- Mixer tap
- Induction hob
- Dishwasher
- Fridge
- Filtering hood

KBPLAV
KBPMIS
KBBPIND
KBPLVS
KBPFRI
KBPCAP

Price



Accessories not included



Melamine White finish with front panels, outer sides, front low panels and upper cabinets in lacquer - Fenix top

Appliances kit

TOTAL COMPOSITION WITH APPLIANCES

cod. KBP03BMD - KBP03BMS

Composition:

- Sink cabinet with draw.+ dishwasher front panel
- Cabinet door for fridge
- Upper cabinet with door for filtering hood
- Upper cabinet with door for microwave

Appliances:

- Resin sink
- Mixer tap
- Induction hob
- Fridge
- Dishwasher
- Filtering hood
- Built-in microwave oven

KBPLAV
KBPMIS
KBBPIND
KBPFRI
KBPLVS
KBPCAP
KBPMIN

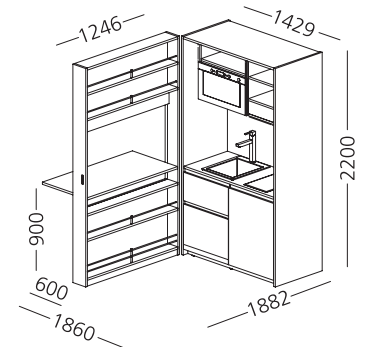
Accessories not included



Melamine White finish with front panels, outer sides, front low panels and upper cabinets in lacquer - Fenix top

Appliances kit

TOTAL COMPOSITION WITH APPLIANCES



cod. KBP03CMD - KBP03CMS

Composition:

- Sink cabinet with draw.+ dishwasher front panel
- Cabinet door for fridge
- Upper cabinet with door with draining rack
- Upper cabinet with door for microwave

Appliances:

- Resin sink
- Mixer tap
- Induction hob
- Fridge
- Dishwasher
- Built-in microwave oven

KBPLAV
KBPMIS
KBBPIND
KBPFRI
KBPLVS
KBPMIN

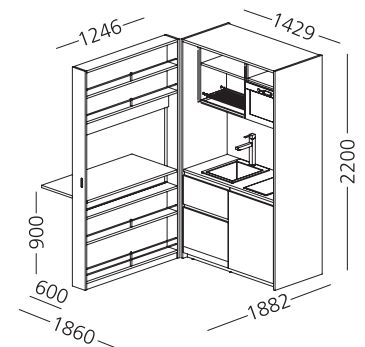
Accessories not included



Melamine White finish with front panels, outer sides, front low panels and upper cabinets in lacquer - Fenix top

Appliances kit

TOTAL COMPOSITION WITH APPLIANCES



N.B.: - Upper cabinets represented without doors
- Upper cabinet with microwave and upper door

KITCHEN BOX - Plus Version - fixed layout configurations

Foldaway kitchen with unit and revolving door organized as a bi-folding pantry. Fixed layout configurations with multiple variations.

WARNINGS

- Always specify the opening of the equipped door (right-left)
- Surcharge for power deactivation device of the hob and microwave (stand-by mode)

KBINTEU €

cod. **KBP04AMD - KBP04AMS**

Composition:

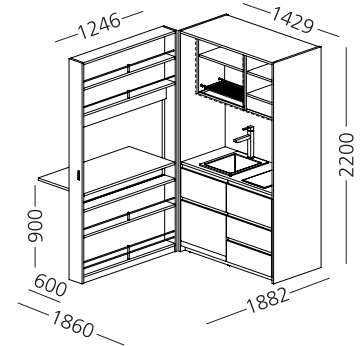
- Sink cabinet with draw.+ dishwasher front panel
- Cabinet with 3 drawers
- Upper cabinet with door with draining rack
- Upper cabinet with door for filtering hood

Appliances:

- Resin sink
- Mixer tap
- Induction hob
- Dishwasher
- Filtering hood

KBPLAV
KBPLAV
KBBPIND
KBPLVS
KBPCAP

Price



Accessories not included



Melamine White finish with front panels, outer sides, front low panels and upper cabinets in lacquer - Fenix top

Appliances kit

TOTAL COMPOSITION WITH APPLIANCES

cod. **KBP04BMD - KBP04BMS**

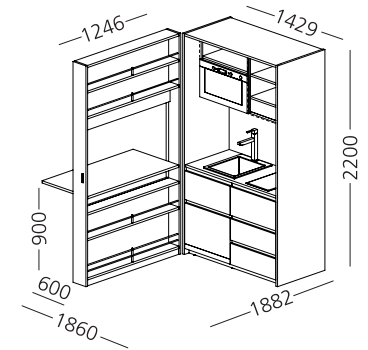
Composition:

- Sink cabinet with draw.+ dishwasher front panel
- Cabinet with 3 drawers
- Upper cabinet with door for microwave
- Upper cabinet with door for filtering hood

Appliances:

- Resin sink
- Mixer
- Induction hob
- Dishwasher
- Filtering hood
- Built-in microwave oven

KBPLAV
KBPMIS
KBBPIND
KBPLVS
KBPCAP
KBPMIN



Accessories not included



Melamine White finish with front panels, outer sides, front low panels and upper cabinets in lacquer - Fenix top

Appliances kit

TOTAL COMPOSITION WITH APPLIANCES

cod. **KBP04CMD - KBP04CMS**

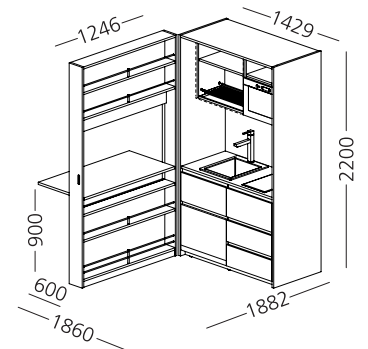
Composition:

- Sink cabinet with draw.+ dishwasher front panel
- Base with 3 drawers
- Upper cabinet with door for microwave
- Upper cabinet with door with draining rack

Appliances:

- Resin sink
- Mixer
- Induction hob
- Dishwasher
- Built-in microwave oven

KBPLAV
KBPMIS
KBBPIND
KBPLVS
KBPMIN



Accessories not included



Melamine White finish with front panels, outer sides, front low panels and upper cabinets in lacquer - Fenix top

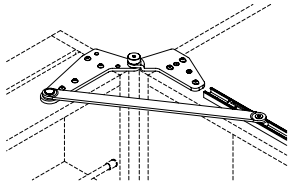
Appliances kit

TOTAL COMPOSITION WITH APPLIANCES

N.B.: - Upper cabinets represented without doors
- Upper cabinet with microwave and upper door

KITCHEN BOX - Accessories

OPENING OVER 90° BLOCK SYSTEM OF THE EQUIPPED DOOR

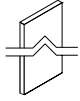


Code

KBBRA90

SPACING STRIP

Only in the case of combination of columns H 2200 mm, it is necessary to use a spacing strip on the same side of the revolving door opening.



Melamine
White

Mel.Oak sabbia
Oak moro
Perla /Tortora

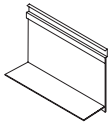
Lacquered

Dimensions: W 200 x D 22 x H 2187 mm

KBFTL

GLASS SHELF

(undercabinet accessory bound to the LED lamp)

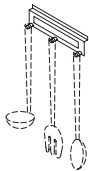


Dimensions: W350 x D118 x H 245 mm

KBACMV

LADLE HOLDER

(undercabinet accessory bound to the LED lamp)

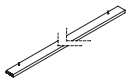


Dimensions: W 180 x D 40 x H 52 mm

KBACPM

LUNDERCABINET LED LAMP

LED 3000°K 21,38 W IP20 75/80 Lm/W EEC A

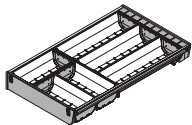


Dimensions: W 1200 x D 40 x H 22 mm

KBLULED

CUTLERY TRAY SET

(only for Plus version) - inserted in the drawer under the sink (as an alternative, waste basket set)

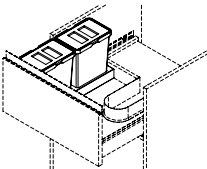


Dimensions: W 190 x D 480 x H 65 mm

KBACPP

WASTE BIN SET

(only for Plus version) - 2 x 6 L / each bins for separate waste collection, with 10/10 steel tanks and trays (as an alternative, cutlery tray set)



Dimensions: W 140 x D 215 x H 280 mm

KBELEPATT

INDUCTION HOB AND OVEN DEACTIVATION KIT

KBINTEU

FILTER FOR FILTERING HOOD

KBPCAFIL