

### GENERAL TECHNICAL INFORMATION

Dual function transforming systems with horizontal foldaway bunk beds with folding opening and slatted bed base.

Folding mechanism with visible gas springs, mounted to the structure, with devices that remain perfectly locked in both positions of use. The lower bed rests on metal feet, which protrude from the bed base in the opening phase.

Available with upper container with flap door (H 2200 mm or without 1943 mm).

The systems are also available with folding table top and folding legs (+ Desk).

The systems can stand alone or be integrated and coordinated with the elements of the Living and Young System programs.

**Lollipop 90 I Standard** (H.1943) and **Lollipop 220 I Standard** (H.2200) with bunk bed furnished with integrated folding ladder that, on unfolding, also becomes a guard barrier and acts as a support.

**Lollipop 90 R Standard** (H.1943) and **Lollipop 220 R Standard** (H.2200) with bunk bed furnished with independent removable ladder and folding metal barrier. The ladder also acts as a support.

**Lollisoft 90 Standard** (H.1943) and **Lollisoft 220 Standard** (H.2200) with bunk bed furnished with independent removable ladder, with a sloping inclination mechanism to enable the upper bed to be remade and folding barriers with fabric cover positioned on 3 sides of the bed.

**Lollisoft 90 Standard CEE** (H.1943) and **Lollisoft 220 Standard CEE** (H.2200) with bunk bed furnished with independent removable ladder, with a sloping inclination mechanism to enable the upper bed to be remade and folding barriers with fabric cover positioned on 3 sides of the bed.

The model complies with EN13453 certification.

- Wooden **frame** with adjustable nylon feet.
- **Bed base** with reinforced tubular steel frame and slats in solid beech plywood attached to the frame with nylon/rubber seals.
- **Standard mattresses** H180 mm lower single bed 850 mm x 1970 mm, weight 14-16 kg, upper bed 800 mm x 1970 mm, weight 14-16 kg, for the Lollisoft CEE model only, the upper mattress is 800 mm x 1920 mm x 160 mm thick, weight 14-16 kg.
  - weight of bed base: Kg 19
  - weight of bed base + front panel Kg 31
- Spring, memory basic, memory - independent spring coils, 7 zone memory, deluxe memory versions.
- For further information on mattresses, please refer to the specific page of the price list.
- Adjustable mattress **locking belts** in nylon with black nylon release fasteners.
- **Maximum liftable weight** (including mattress, blankets and pillows): kg 50

#### - Standard finishes::

Structure:	Melamine White, Oak Sabbia and lacquered as per Cleicoloursystem.
Front:	Melamine White, Oak Sabbia and lacquered as per Cleicoloursystem.
Back:	Melamine White and lacquered as per Cleicoloursystem.
Decorations:	Multicolor - Prints, Quadra - Petalo - Wave, fixed configurations as per chapter "decorations" on te price list

**N.B.:** Made-to-measure sizes are not possible.

### WARNINGS: Assembly and safety



**THIS MODEL MUST BE FIXED TO THE WALL**

This product is delivered disassembled and provided with specific assembly instructions.

The product must be anchored to walls using 3 anchor points and must stand on perfectly level floors.

A hardware kit is supplied for assembly, but it does not include wall plugs which, in order to guarantee safety, must be chosen by the installer based on the type of wall or partition where the product is to be installed, and which the manufacturer does not know.

Lollipop with integrated ladder: in the bunk bed position, correctly open the integrated ladder in the vertical position and fasten the safety bar into the holder.

Lollipop, Lollisoft and Lollisoft CEE with removable ladder: in the bunk bed position, it is mandatory to fix the removable ladder to the appropriate hooks. The independent and integrated ladders are also used as a support.

The installer is responsible for workmanlike assembly and testing of the product.

For further specific warnings, please see page 15 of this price list and the instruction booklet that is supplied with each product inside the packaging.



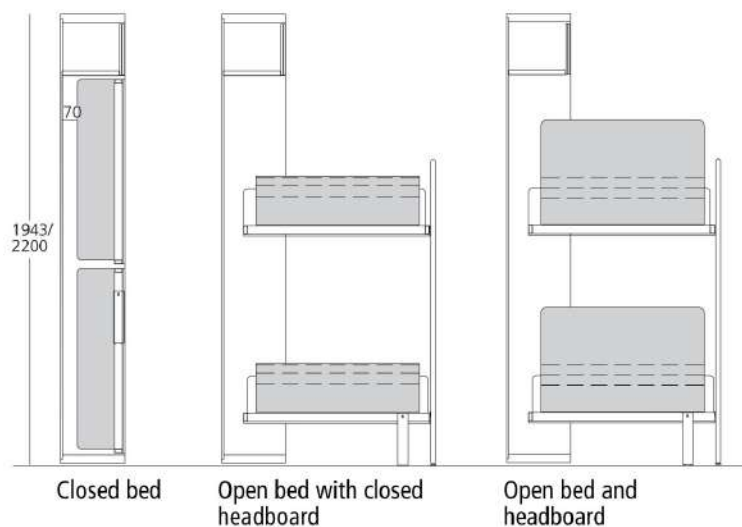
**Reclining padded headboard**

Iron frame with expanded, cold-cured polyurethane foam padding and with removable fabric cover.

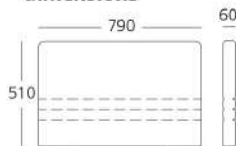
Open headboard dimensions: W 790 mm x D 60 mm x H 510 mm

Wash according to the fabric label.

**Section**



**Reclining headboard dimensions**



**LOLLIPOP E LOLLIPOFT / LOLLIPOFT CEE (for lower bed only)**

**LED light**

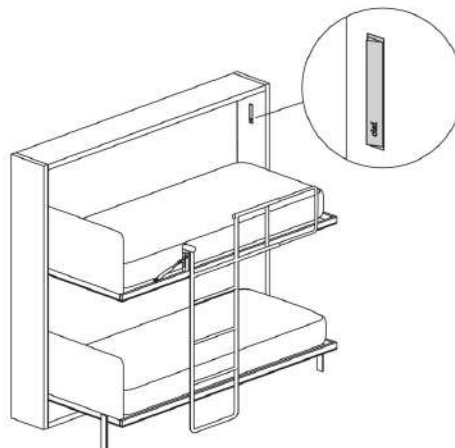
Semi-recessed warm-tone LED system made of an anodized aluminum frame, opaline polycarbonate cover and sensor switch.

The LED used is certified in compliance with En62471 regulation as part of the "risk-free" category that assures its unlimited maximum safety.

LED 3000°K 1,9 W IP40 75/80 Lm/W EEC A+



Dimensions: W 30 mm x D 9 mm x H 200 mm

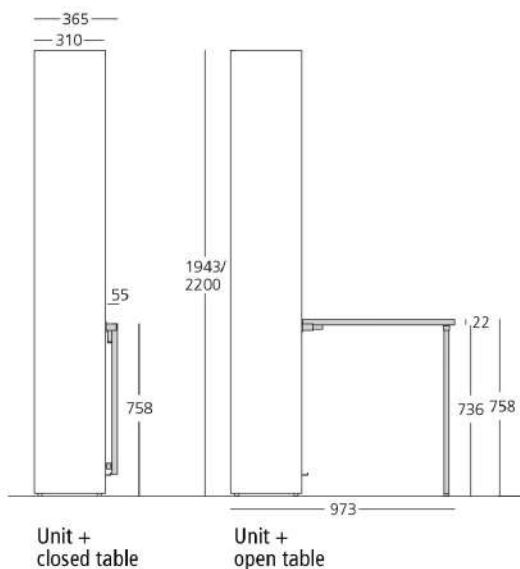
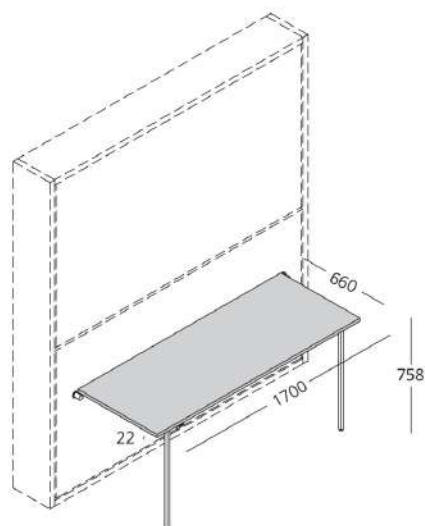


**Desk – Folding desk top**

Folding desk top with folding legs applied to the front of the Lollipop / Lollisoft / Lollisoft CEE models.

Maximum desk top capacity 50 kg.

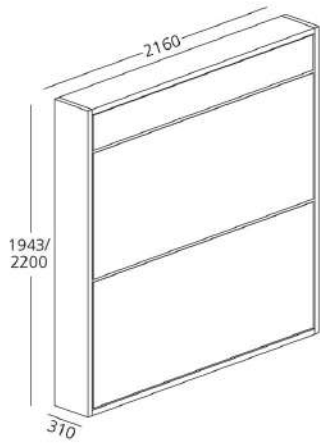
**Side view**



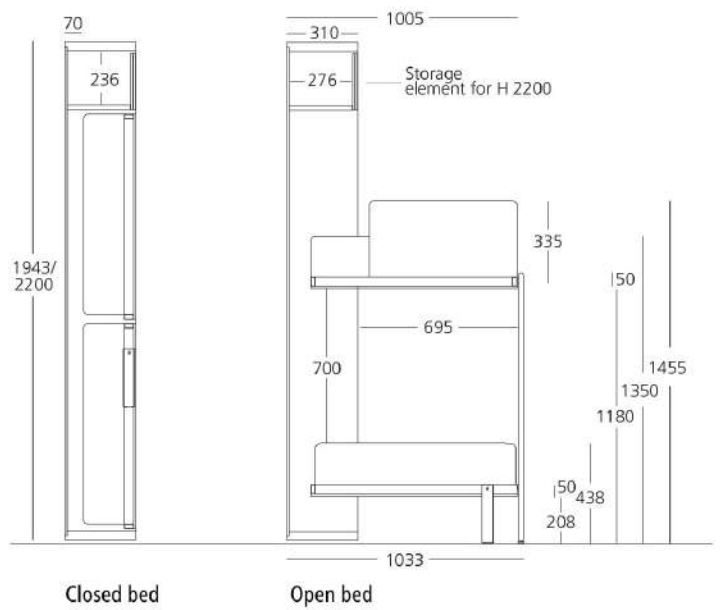
Unit + closed table

Unit + open table

LOLLISOFT 90 - 220 STANDARD

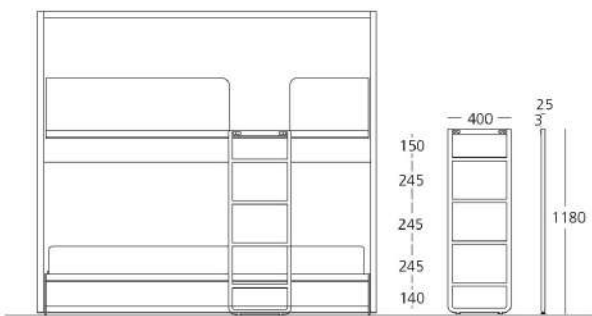


Section



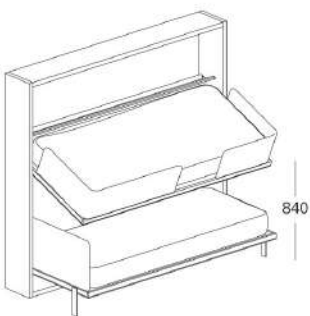
Removable ladder

**N.B.:** The load-bearing ladder is positioned only on the right (see drawing).  
Make a specific request for positioning on the left.



Making the upper bed - integrated mechanism

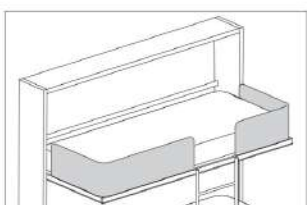
With a simple movement, the upper bed tilts forward to facilitate remaking it



Open bed + upper bed inclined

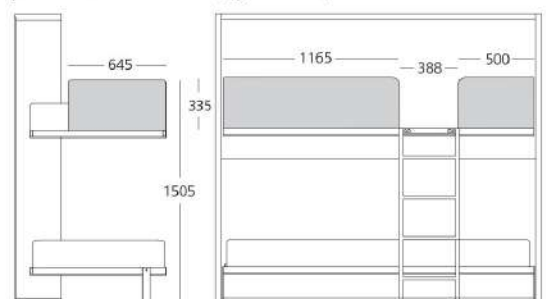
Padded guard barrier

Iron frame with expanded, cold-cured polyurethane foam padding on three sides, folding, with removable fabric cover. With this type of barrier, the headboard can only be applied on the lower bed.



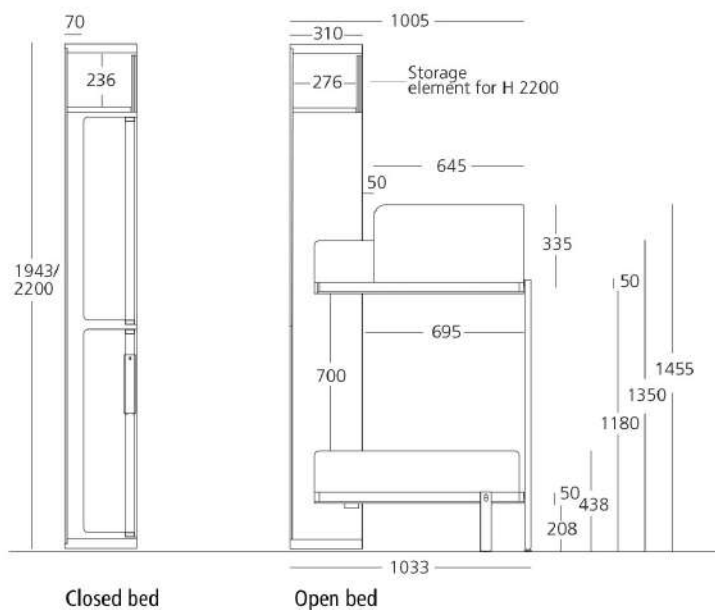
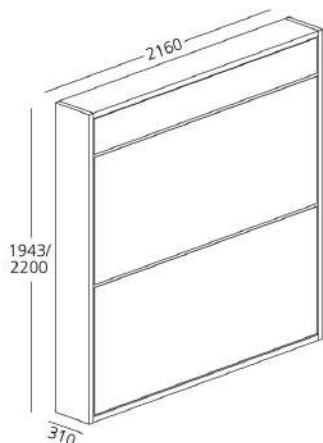
Section padded barrier

Front view (right ladder)



LOLLISOFT 90 - 220 STANDARD CEE

Section

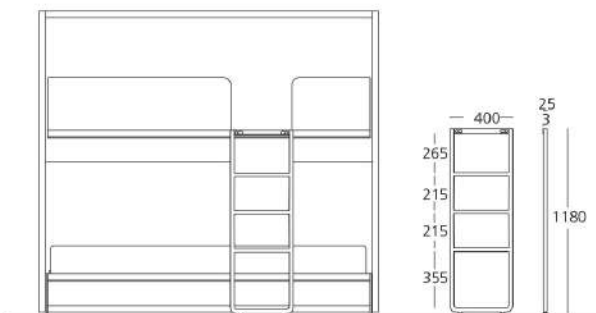


**Removable ladder**

The ladder is hooked to both beds by a lock mechanism, and is used as a load-bearing support.

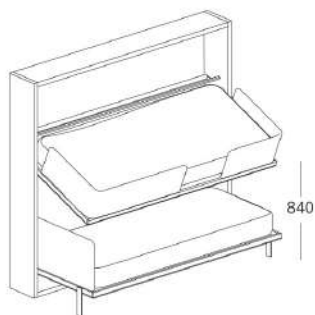
Made of powder coated iron.

**N.B.:** The load-bearing ladder is positioned only on the right (see drawing).



**Making the upper bed - integrated mechanism**

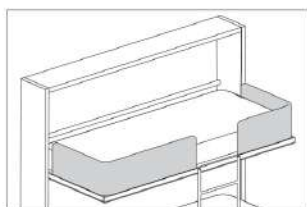
With a simple movement, the upper bed tilts forward to facilitate remaking it



Open bed + upper bed inclined

**Padded guard barrier**

Iron frame with expanded, cold-cured polyurethane foam padding on three sides, folding, with removable fabric cover and release button. With this type of barrier, the headboard can only be applied on lower bed.



**Section padded barrier**

**Front view (right ladder)**

