

GENERAL TECHNICAL INFORMATION

Dual-function transforming system with foldaway double bed with fold down opening, always ready to use, made with innovative CF97 slatted bed base with extruded anodized aluminum frame with adjustable mechanism integrated with the sofas of various types, sizes and functions.

The transforming system is available in the Nuovoliola' 10, Ito 016, Atoll, Swing, Tango and Oslo versions.

The system can stand alone or be integrated and coordinated with the elements of the Living and Young System programs. Removable sofa cover.

Nuovoliola' 10 available with or without armrests, with all-over seat cushion, two backrest cushions, two optional side cushions and pill case container under the seat. Liola'/Nuovoliola' 10 is patent protected.

Ito 016 features a sofa with reclining, sliding seat and integrated extendable footrests.

Atoll is available in the versions with sofa W 1730 mm (Atoll), sofa W 2450 mm with sole seat cushion and double storage space (Atoll 000), sofa W 2810 mm x 2570 mm with fixed seat, storage space and tilting single corner seat to release the bed frame in the night version (Atoll 202).

Swing with one or two optional armrests, is available in the W 2810 mm version with sliding relaxing chaise longue, reclining comfort backrest and with pillow container under the seat (Swing), and the W 1730 mm version with container compartment under the seat (Swing 0).

Tango is available in the fixed (W 2230 mm and 2700 mm) modular versions with fixed and sliding seats (which moves forward by 200 mm), consisting of modular elements with and without armrests, corner elements with built-in storage spaces, end pieces with reclining armrests and chaises longues of varying dimensions. Also available without the bed system (W 1900, 2230, 2700 mm).

Oslo is available in the versions W 3010 mm (with armrests W 270 mm) and W 2870 mm (with armrests W 180 mm) with maxi element, sole seat cushion and armchair component, and in the versions W 2010 mm (with armrests W 180 mm), W 1730 mm (with armrests W 60 mm) only with the maxi component and sole seat cushion. All versions have the pillowcase container under the seat.

- Wooden **frame** with adjustable nylon feet.
- **Bed base** with curved beech plywood slats mounted to the frame with adjustable nylon/rubber gaskets.
 - weight of bed base: Kg 45
 - weight of bed base + front panels Kg 67
- **Standard mattresses** H 180 mm, 1540 mm x 2020 mm, weight 29-32 kg. Spring, memory basic, memory - independent spring coils, 7 zone memory, deluxe memory versions. For further information on mattresses, please refer to the specific page of the price list.
- Adjustable mattress **locking belts** in nylon with black nylon release fasteners.
- **Maximum liftable weight** (including mattress, blankets and pillows): kg 102
- **Maximum load shelf:** 20 kg equally distributed

Standard finishes:

Structure:	Melamine White, Oak Sabbia, Oak Moro, Perla, Tortora, lacquered as per Cleicoloursystem, Wavy Walnut Wood, Smoked Oak Wood.
Front:	Melamine White, Oak Sabbia, Oak Moro, Perla, Tortora, Cemento, Glossy White Dialux, lacquered as per Cleicoloursystem, Wavy Walnut Wood, Smoked Oak Wood.
Back:	Melamine White, Oak Sabbia, Oak Moro, Perla, Tortora, lacquered as per Cleicoloursystem.

N.B.: Made-to-measure sizes are not possible.

CF97 BED BASE: Technological Innovation

- **Bed base** made of extruded anodized aluminum bed frame with integrated adjusting mechanism (Fig. 1). Springs integrated in the frame and calibrated for the base's opening and closing system (Fig. 2), which rotates and slides on polizen cams (Fig. 3)
- **Technology and design:** Opening and closing are performed with a simple gesture using the handle, fixed or extendable, integrated on the front shelf that, thanks to the tilting movement (Fig. 4-5), becomes the bed support. The shelf remains parallel to the ground while the bed is being opened, so objects placed on it do not need to be removed (Fig. 1)
- **Functionality and design:** No hardware required for front panel mounting. (Fig.4)

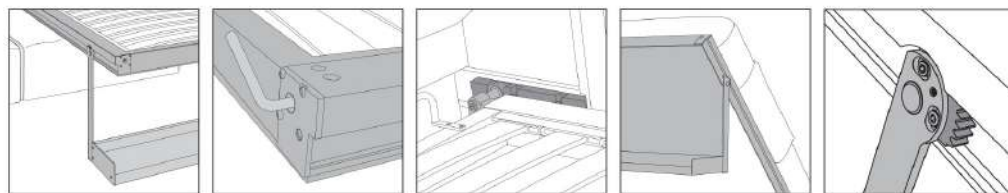


FIG.1

FIG.2

FIG.3

FIG.4

FIG.5

WARNINGS: Assembly and Safety



THE MODELS DESCRIBED ABOVE ARE SELF-SUPPORTING.

They are delivered in separate parts and accompanied by specific assembly instructions.

They must be assembled standing on a perfectly flat floor.

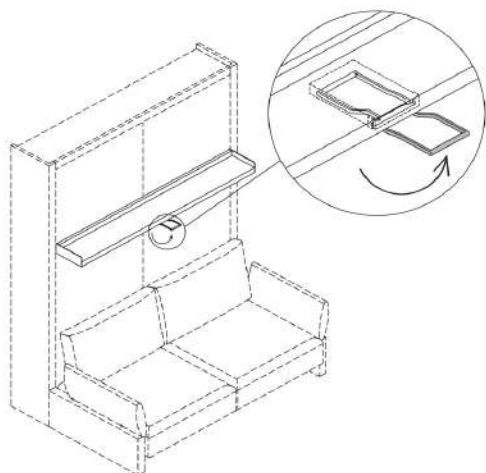
With folding mechanisms for functionally related components of the system, models may undergo imperceptible vibrations or minimum movements which can be avoided by anchoring the transforming system to the support against which it is installed.

Extendable and fixed handle

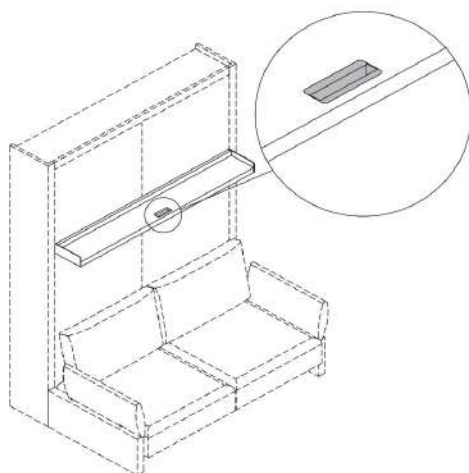
Extendable and fixed handle to assist opening, both recessed in the front shelf of the transforming systems:

- Standard extendable handle for TANGO, OSLO and Optional for NUOVOLIOLÀ 10 - ITO 016 - ATOLL - SWING
- Standard fixed handle for NUOVOLIOLÀ 10 - ITO 016 - ATOLL - SWING.

Extendable handle



Fixed handle



Accessories - NUOVOLIOLÀ 10 - ITO 016 - ATOLL - SWING - TANGO - OSLO

Double Soft padded headboard

Textile padded headboard for bed, fixed directly to the backrest panel with press-studs (Dacron padding, 60 mm thick).

Dimensions: W 1540 mm x D 60 mm x H 640 mm

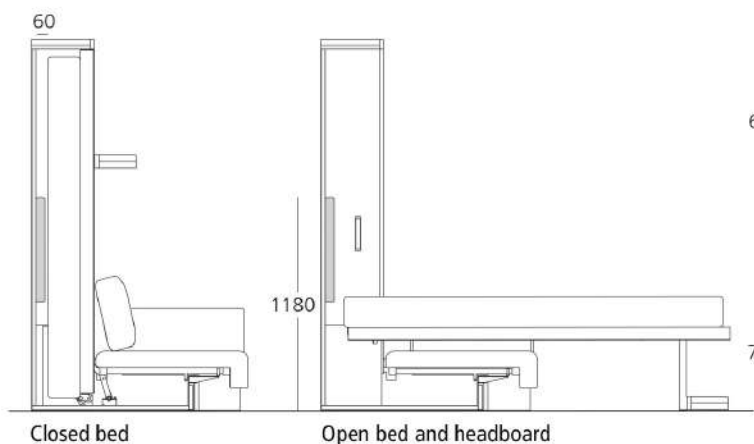
Double Tight padded headboard

Fabric headboard with internal MDF support, fixed directly to the back panel with high strength velcro.

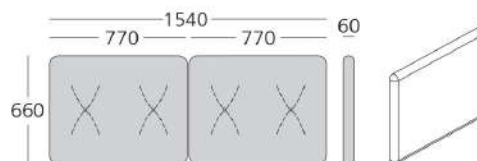
Padding in foam, rear part upholstered with cloth, thickness mm 30.

Dimensions: W 1650 mm x D 30 mm x H 760 mm

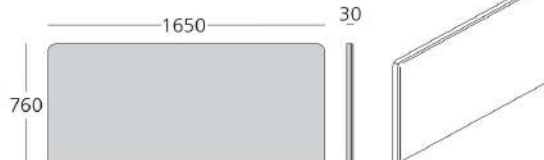
Section



Soft headboard dimensions



Tight headboard dimensions



LED light

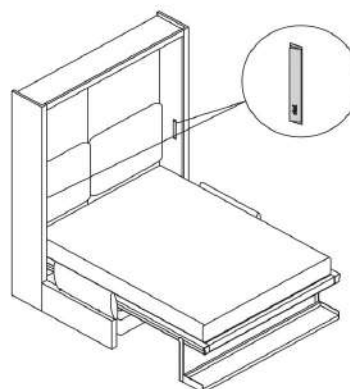
Semi-recessed warm-tone LED system made of an anodized aluminum frame, opaline polycarbonate cover and sensor switch.

The LED used is certified in compliance with EN62471 regulation as part of the "risk-free" category that assures its unlimited maximum safety.

LED 3000°K 1,9 W IP40 75/80 Lm/W EEC A+

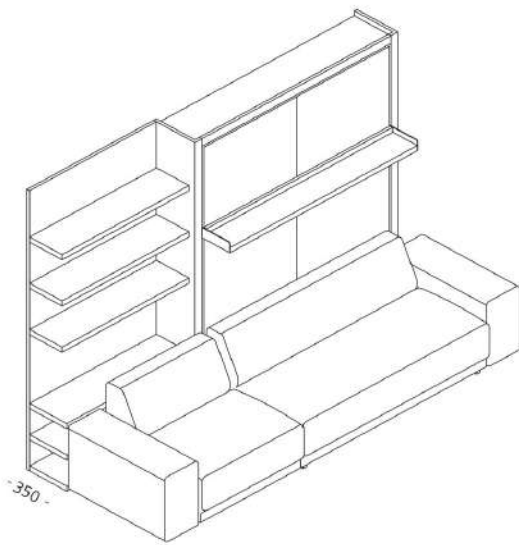


Dimensions: W 30 mm x D 9 mm x H 200 mm

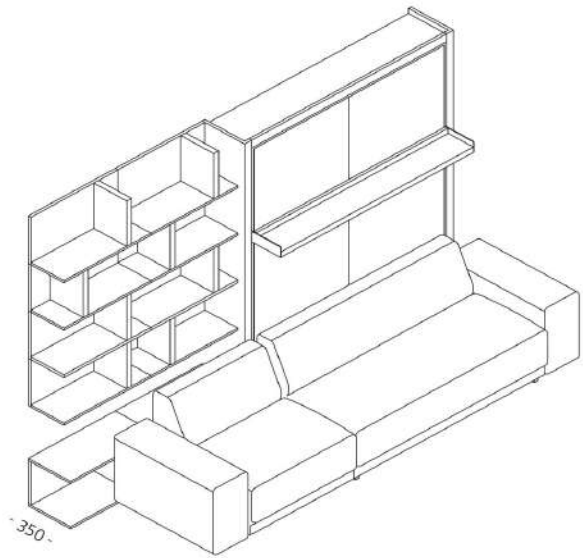


In the case of models with sofa with widths greater than the transforming system (1730 mm) such as ATOLL 000 – ATOL 202 – TANGO 270 – TANGO COMPONIBILE - OSLO DIVANO 301, use the solutions proposed for compartment compensation between the sofa and the wall.

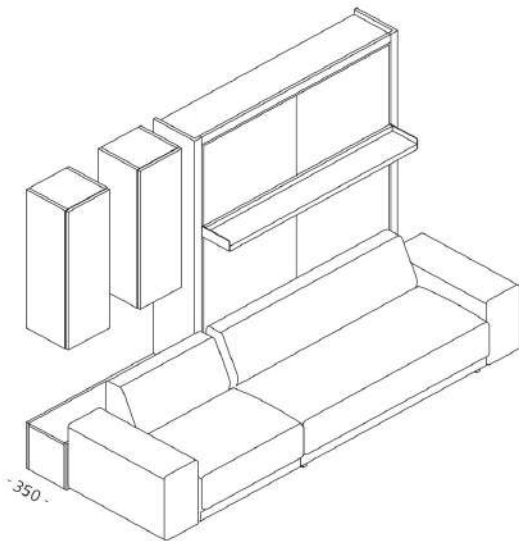
COMPOSITION EXAMPLES



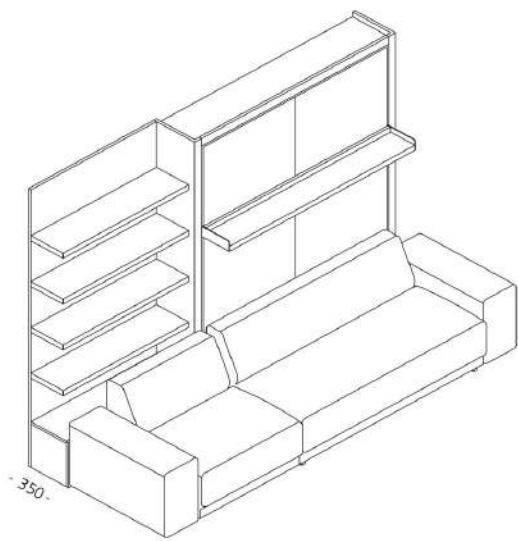
Transforming system, boiserie with shelves



Transforming system, TETRIS bookshelf elements and open base frame



Transforming system, TETRIS vertical wall elements and unit with flap door



Transforming system, boiserie with unit with flap door

GENERAL TECHNICAL INFORMATION

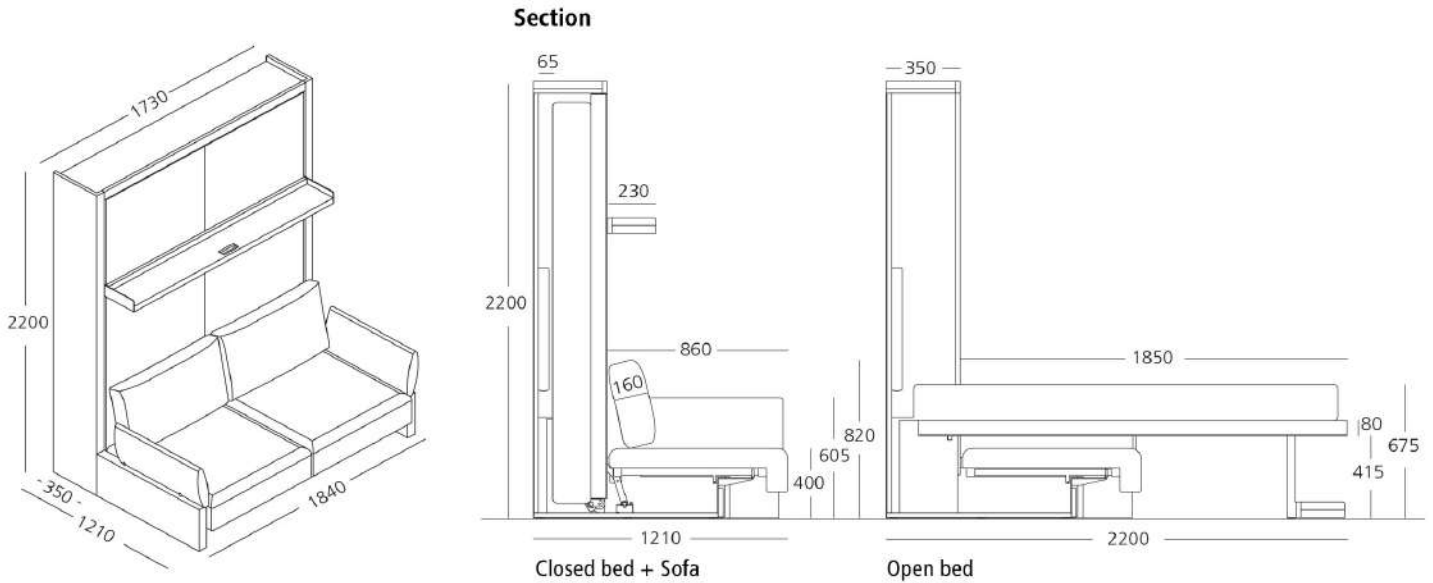
Dual-function transforming system.

Nuovoliola 10 sofa consists of full seat cushion, two backrest cushions, structural wooden armrests, integrated with always ready foldaway double bed, with fold down opening and CF97 slatted bed base. Nuovoliola 10 can be with or without armrests.

The backrest cushions are removed before opening and are kept in the container compartment under the seat structure.

On opening the bed, the pivoting front shelf becomes the ground support.

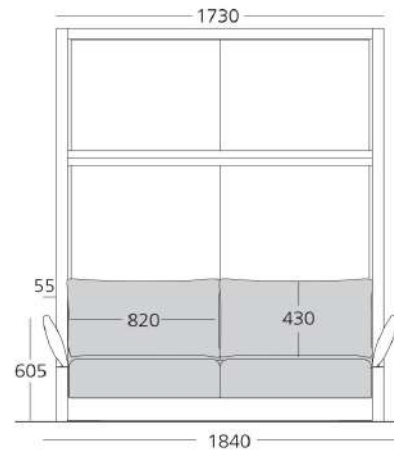
The transforming system can be standalone or integrated with modular elements of the Living and Young System programs.



SOFA TECHNICAL FEATURES

- **Structure** in iron with epoxy powder coating
- **Seat springs** made with interwoven reinforced elastic straps.
- **Seat cushions** made of expanded polyurethane covered in resin coupled with jersey.
- **Backrest cushions:** made of Piuma & Fill, a padding system made of natural goose feathers, washed and sterilized according to the strictest European regulations and from hollow cold-extruded silconized polyester fiber flakes with constant denier and shaped like tiny springs. All the cushions are covered in white 100% cotton cloth that protects the contact with the padding
- **Covered** in completely removable fabric or leather
- **Length required for sofa cover:**
Fabric 4.80 Ml. in H. 1.40
Leather m² 7.50
- Wash according to the fabric label.

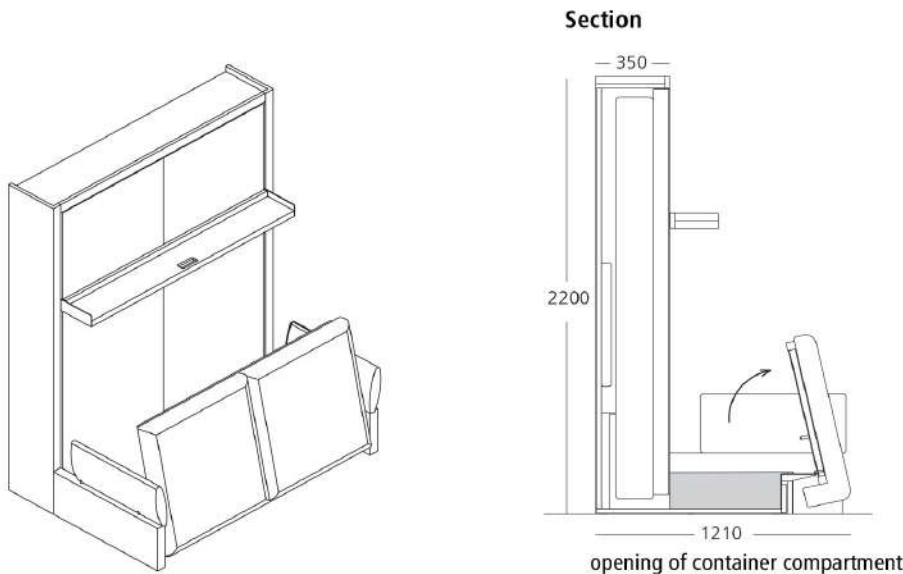
Front view



Pillow container under the seat

Opened by a piston lifting system.

Internal compartment dimensions: W 1475 mm x D 505 mm x H 160 mm



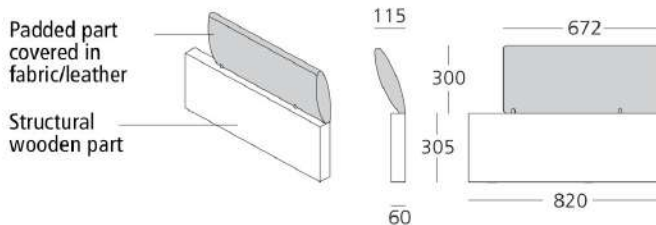
Pair of padded armrests

Technical specifications:

- Metal frame structure, padded with high-density cold foam (moulded polyurethane).
- Covered in resinated Dacron couple with jersey
- Covered in completely removable fabric or leather
- Cannot be covered in synthetic leather due to the thickness, which causes chafing
- Wash according to the fabric label.

Length required Fabric MJL 1.6 in H 1.40

Leather required 2.45 m²

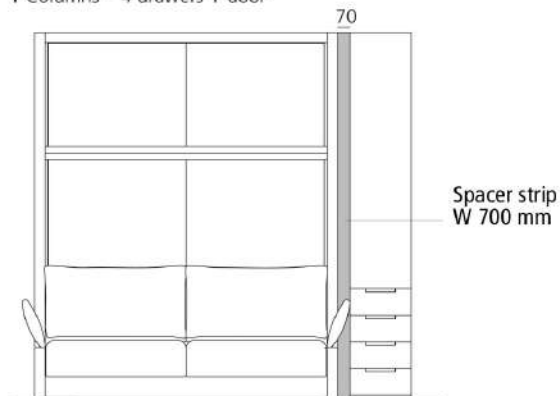


NUOVOLIOLÀ 10 - Design guide, composition and integration with the Living and Young System pro-

NUOVOLIOLÀ 10 - with padded armrests

- 1 - column D 350 mm with 4 drawers and door, the use of a spacing strip is required for drawer opening (see dedicated page).
- 2 - column D 350 mm with 2 drawers and door, no constraints on drawer and door opening.

1 Columns – 4 drawers + door



2 Columns – 2 drawers + door

