

OSLO - Sofa with double bed transforming system - CF97 Bed Base

GENERAL TECHNICAL INFORMATION

Dual-function transforming system.

Oslo Sofa consists of a maxi element with sole seat cushion and an armchair element (right or left) with armrests, complete with always ready foldaway double bed, with folding opening and CF97 slatted bed base.

On opening the bed, the pivoting front shelf becomes the ground support, the sofa seat advances and the backrest reclines.

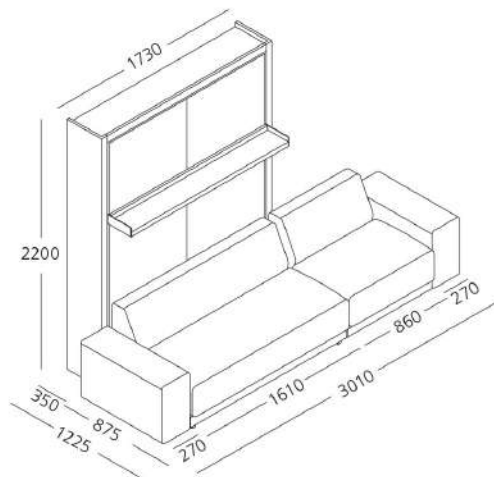
The sofa is produced in four versions with pillow compartment underneath the seat.

Dimensions: W 3010 mm version with W 270 mm armrests, W 2870 mm version with W 180 mm armrests, W 2010 mm version with W 180 mm armrests and W 1730 mm version with W 60 mm armrests.

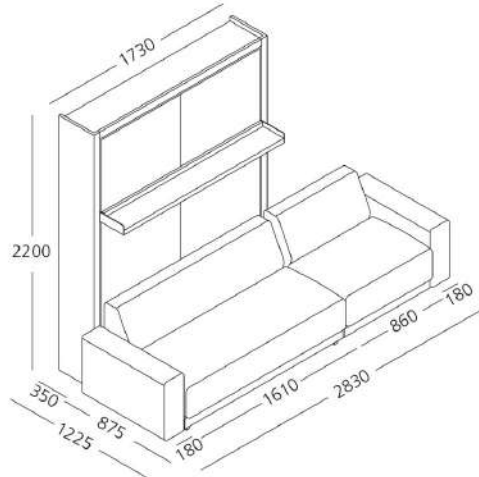
Seats and backrests in foam of differing densities, upholstered resinated Dacron.

Optional rectangular and oval supports and pouf W 700 mm x D 465 mm x H 400 that can be kept under the bed.

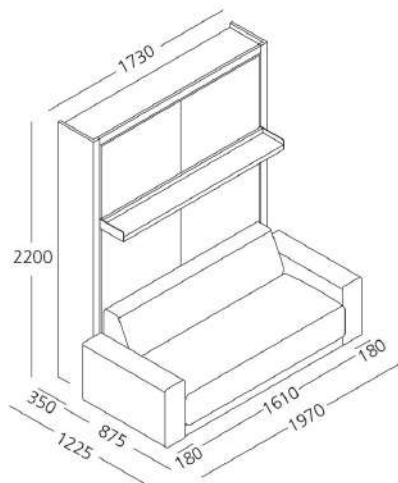
OSLO Divano 301
(right armchair)



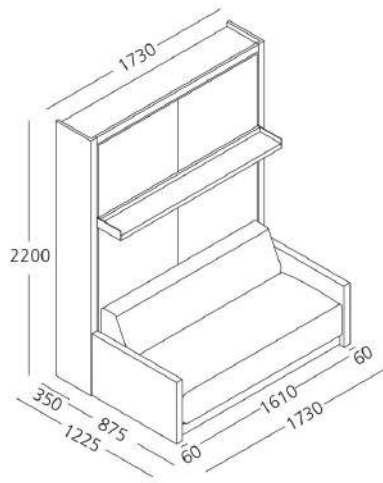
OSLO Divano 283
(right armchair)



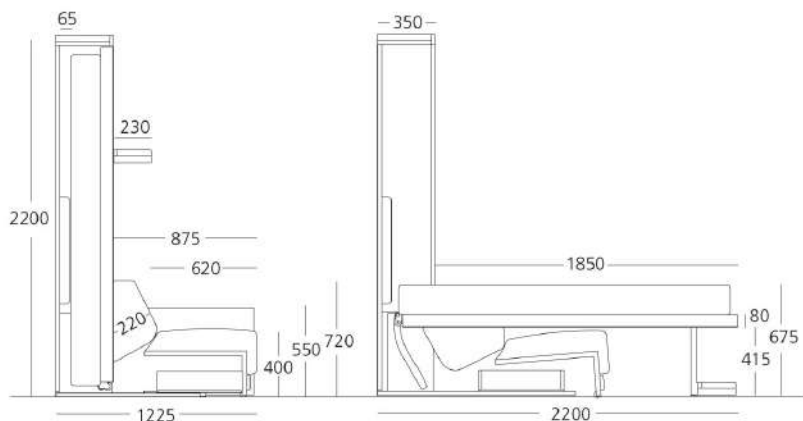
OSLO Divano 197



OSLO Divano 173



Section



Closed bed + sofa

Open bed

SOFA TECHNICAL FEATURES

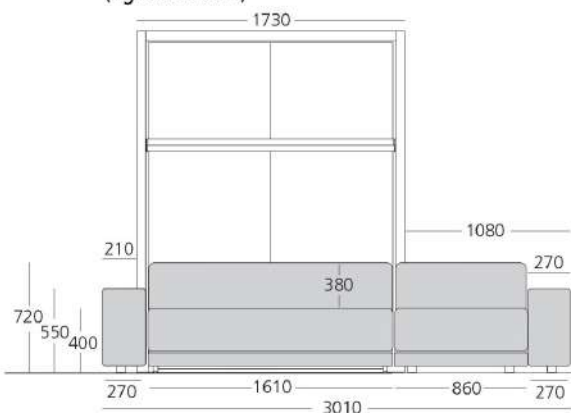
- **Structure** made of iron with epoxy powder coating
- **Armrests**: - width 60 mm with metal frame and padded in high density cold foam. The cover is in coupled velvet.
- width 180 mm and 270 mm with wooded frame, padded with foam and covered in resinated Dacron coupled with jersey.
- **Seat frame** in metal with elastic straps and strip of poplar plywood fixed to the frame.
- **Seat** with foam padding of differing densities and upholstered with a layer of resinated Dacron coupled with jersey.
- **Backrest cushion** with metal frame fixed to the front of the bed and padded in different densities. Covered in resinated Dacron coupled with jersey
- Completely removable cover made of fabric or leather

Attention : Cover in eco-leather could create small wrinkles due to the shape and the movement of the seat

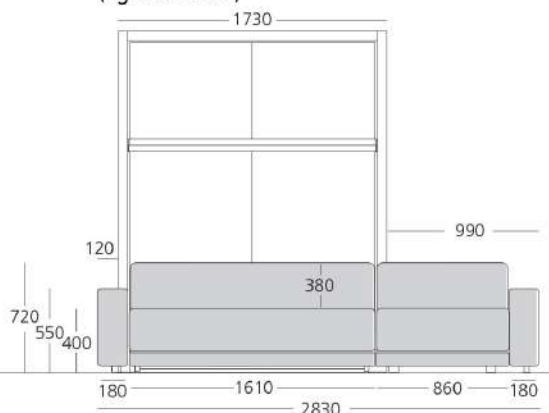
- Length required for sofa cover:

- OSLO Divano 173
- Fabric MI. 6,80 in H. 1,40 - Leather m² 10,50
- OSLO Divano 197
- Fabric MI. 7,50 in H. 1,40 - Leather m² 11,50
- OSLO Divano 283
- Fabric MI. 10,30 in H. 1,40 - Leather m² 15,80
- OSLO Divano 301
- Fabric MI. 10,30 in H. 1,40 - Leather m² 15,80
- Wash according to the fabric label.

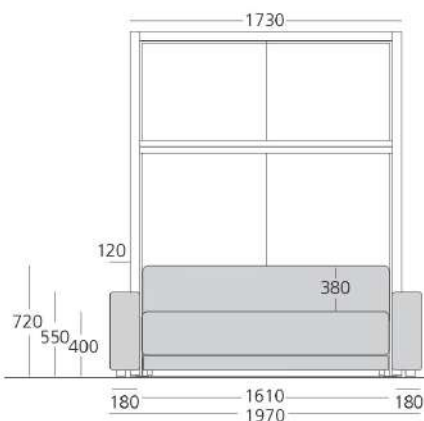
OSLO Divano 301
(right armchair)



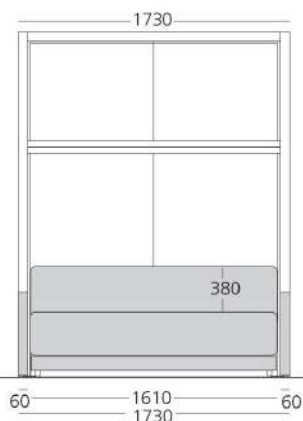
OSLO Divano 283
(right armchair)



OSLO Divano 197



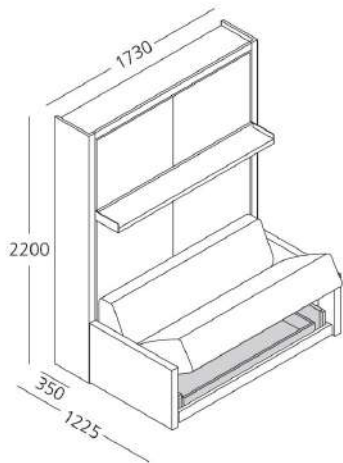
OSLO Divano 173



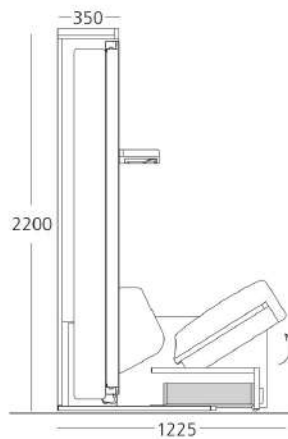
Pillow container under the seat

Opened by a piston lifting system.

Internal compartment dimensions W 1310 mm x D 485 mm x H 120 mm



Section



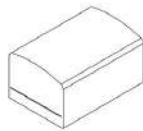
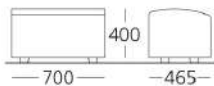
Container compartment opening

Accessories - OSLO

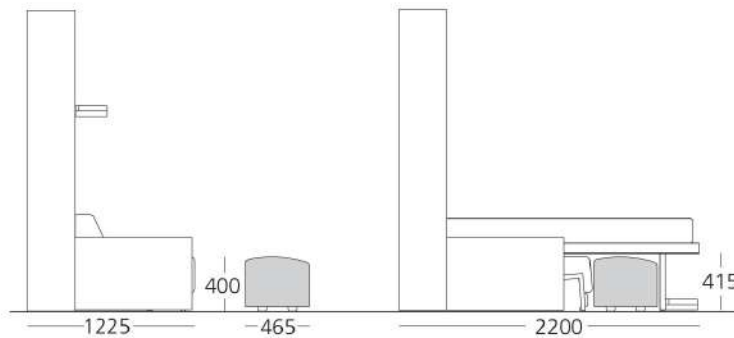
Pouf

Can be placed under the bed

Dimensions: W 700 x D 465 x H 400 mm



Section



Closed bed + sofa + pouf

Open bed + pouf

OSLO - Design guide, composition and integration with the Living and Young System programs

Warnings for 180 mm - 270 mm W sofa armrest - OSLO

Combination with open storage units, storage units 35 mm D with fixed lower door and with boiserie

N.B.: Do not use column with open folding doors

column / open columns

column with fixed lower door

standard boiserie

