

GENERAL TECHNICAL INFORMATION

Transforming system with foldaway single or intermediate bed with folding opening and slatted bed base.

Folding mechanism with visible gas springs, mounted to the structure, with devices that remain perfectly locked in both positions of use. The bed rests on metal feet, which protrude from the bed base in the opening phase.

Poppi 90 and 120 are also available with folding table top and folding leg (Poppi + Desk) and with upper bookcase (Poppi + Book). The system can stand alone or be integrated and coordinated with the elements of the Living and Young System programs.

- Wooden **frame** with adjustable nylon feet.
- **Bed base with frame** in tubular steel frame and slats in solid beech plywood attached to the frame with nylon/rubber seals.
 - weight of Poppi 90 bed base: Kg 19 - weight of Poppi 120 bed base Kg 23
 - weight of Poppi 90 bed base + front panel Kg 31 - weight of Poppi 120 bed base + front panel Kg 46
- **Standard mattresses** H180 mm single 850 mm x 1970 mm, weight 14-16 kg, intermediate 1090 mm x 1970 mm, weight 19-21 kg Spring, memory basic, memory - independent spring coils, 7 zone memory, deluxe memory. For further information on mattresses, please refer to the specific page of the price list.
- Adjustable mattress **locking belts** in nylon with black nylon release fasteners.
- **Maximum liftable weight** (including mattress, blankets and pillows):
 - Poppi 90 Kg 50 - Poppi 120 Kg 71

- Standard finishes:

| | |
|------------|---|
| Structure: | Melamine White and lacquered as per Cleicoloursystem. |
| Front: | Melamine White and lacquered as per Cleicoloursystem. |
| Back: | Melamine White and lacquered as per Cleicoloursystem. |

N.B.: Made-to-measure sizes are not possible.

WARNINGS: Assembly and safety



THIS MODEL MUST BE FIXED TO THE WALL

This product is delivered disassembled and provided with specific assembly instructions.

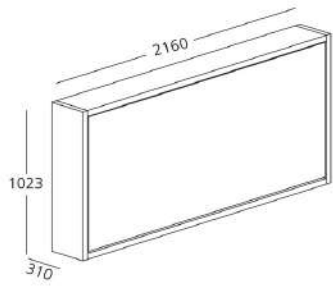
The product must be anchored to walls using 2 anchor points and must stand on perfectly level floors.

A hardware kit is supplied for assembly, but it does not include wall plugs which, in order to guarantee safety, must be chosen by the installer based on the type of wall or partition where the product is to be installed, and which the manufacturer does not know.

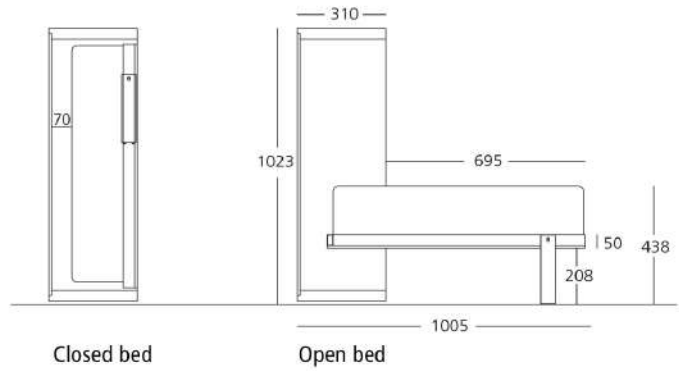
The installer is responsible for workmanlike assembly and testing of the product.

For further specific warnings, please see page 15 of this price list and the instruction booklet that is supplied with each product inside the packaging.

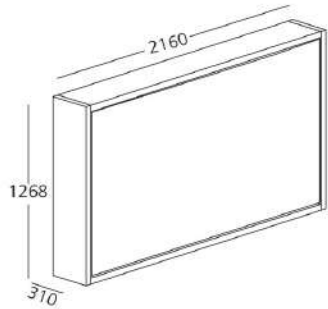
POPPI 90 STANDARD



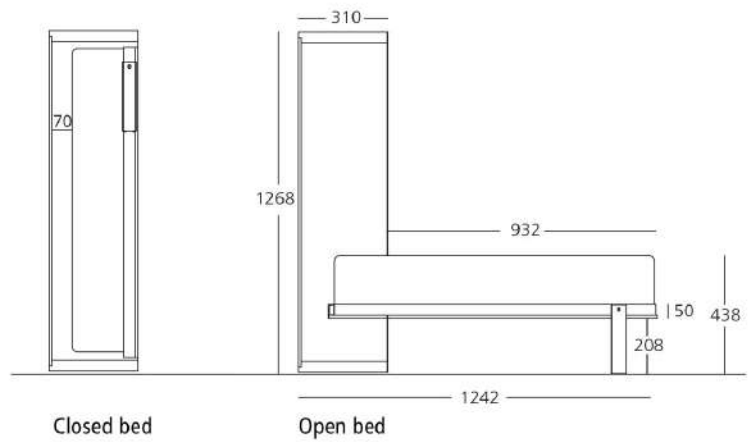
Section



POPPI 120 STANDARD



Section



Accessories - POPPI STANDARD

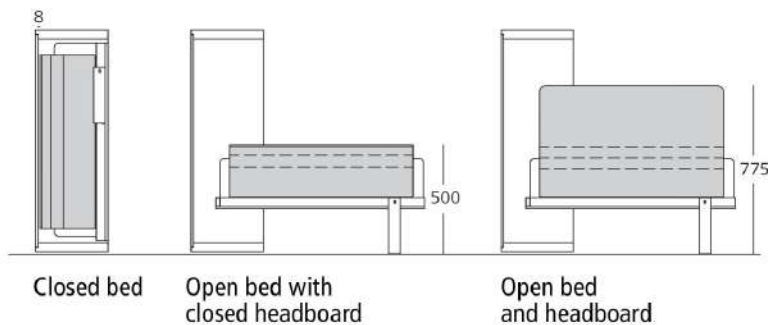
Reclining padded headboard

Iron frame with expanded, cold-cured polyurethane foam padding and with removable fabric cover.

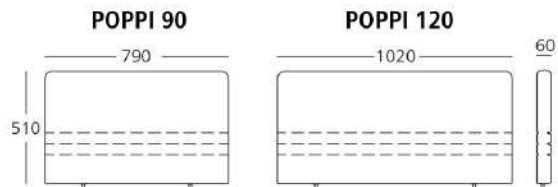
Open headboard dimensions: W 790/1020 mm x D 60 mm x H 510 mm

Wash according to the fabric label.

Section



Reclining headboard dimensions



LED light

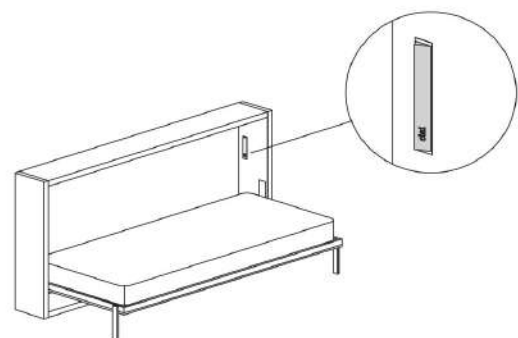
Semi-recessed LED system made of an anodized aluminum frame, opaline cover and sensor switch.

The LED used is certified in compliance with EN62471 regulation as part of the "risk-free" category that assures its unlimited maximum safety.

LED 3000°K 1,9 W IP40 75/80 Lm/W EEC A+



Dimensions: W 30 mm x D 9 mm x H 200 mm

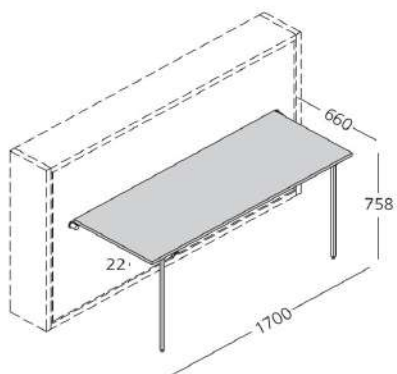


Desk - Folding desk top

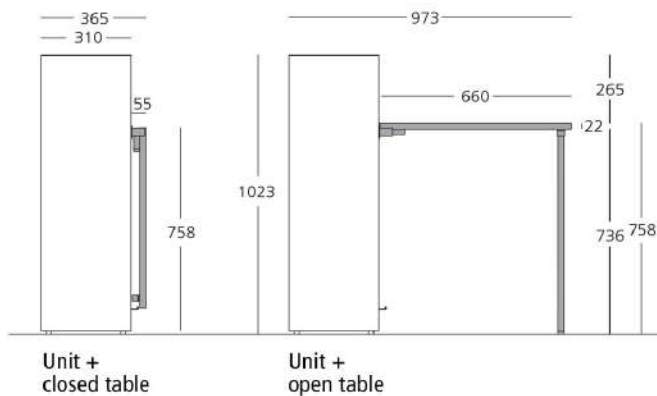
Folding desk top with folding legs applied to the front of the Poppi 90 and Poppi 120 (Poppi + Desk) models.

Maximum desk top capacity 50 kg.

N.B.: Dimensions can not be changed.



Side view



BOOK - Upper bookcase

Bookcase element to be added to the POPPI 90 bed to achieve the height of 2200 mm (Poppi + Book)

N.B.: Dimensions can not be changed.

