

## GENERAL TECHNICAL INFORMATION

Transforming system composed of a single foldaway bed with folding opening, slatted bed base and side bookshelf, supplied with a sliding door wired TV, which keeps cables hidden when moved.

Folding mechanism with visible gas springs, mounted to the structure, with devices that remain perfectly locked in both positions of use. The bed rests on metal feet, which protrude from the bed base in the opening phase. Sliding panel mechanism on aluminum rail and nylon wheels.

The TV panel is furnished with a fixed or adjustable support arm and 90° rotation around the vertical axis (optional).

The system can stand alone or be integrated and coordinated with the elements of the Living and Young System programs.

- **Wooden frame** with adjustable nylon feet.
- **Bed base with** frame in tubular steel frame and slats in solid beech plywood attached to the frame with nylon/rubber seals.
  - weight of bed base: Kg 19
  - weight of bed base + front panel Kg 3
- Standard **mattresses** H180 mm single 850 mm x 1970 mm, weight 14-16 kg.  
Spring, memory basic, memory - independent spring coils, 7 zone memory, deluxe memory versions. For further information on mattresses, please refer to the specific page of the price list.
- Adjustable mattress **locking belts** in nylon with black nylon release fasteners.
- **Maximum liftable weight** (including mattress, blankets and pillows): kg 50
- **TV size:** max. 42"
- **Standard finishes:**

|                 |   |
|-----------------|---|
| Structure:      | Melamine White and lacquered as per Cleicoloursystem.                                       |
| Front:          | Melamine White and lacquered as per Cleicoloursystem.                                       |
| Back:           | Melamine White and lacquered as per Cleicoloursystem.                                       |
| Side bookshelf: | Melamine White, oak sabbia, oak moro, perla, tortora and lacquered as per Cleicoloursystem. |

**N.B.:** Made-to-measure sizes are not possible.

---

## WARNINGS: Assembly and safety



### THIS MODEL MUST BE FIXED TO THE WALL

This product is delivered disassembled and provided with specific assembly instructions.

The product must be anchored to walls using 2 anchor points and must stand on perfectly level floors.

A hardware kit is supplied for assembly, but it does not include wall plugs which, in order to guarantee safety, must be chosen by the installer based on the type of wall or partition where the product is to be installed, and which the manufacturer does not know.

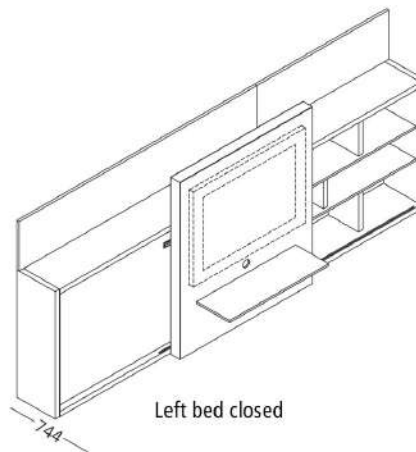
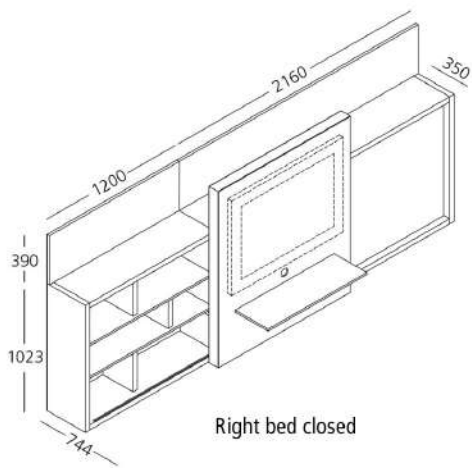
The installer is responsible for workmanlike assembly and testing of the product.

For further specific warnings, please see page 15 of this price list and the instruction booklet that is supplied with each product inside the packaging.

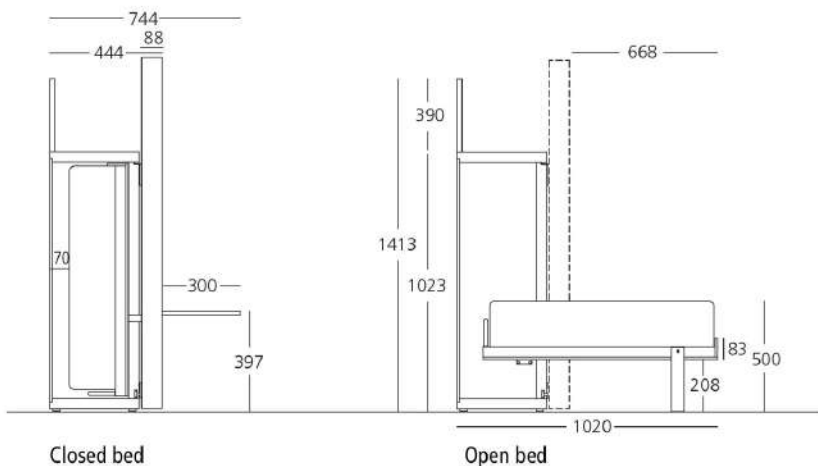
Maximum side bookshelf capacity 30 kg.

Maximum capacity of shelf on sliding panel 30 kg.

Maximum TV support arm capacity 14 kg.

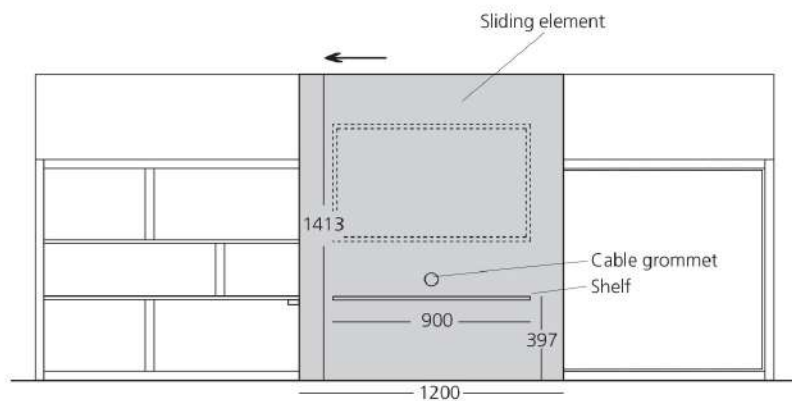
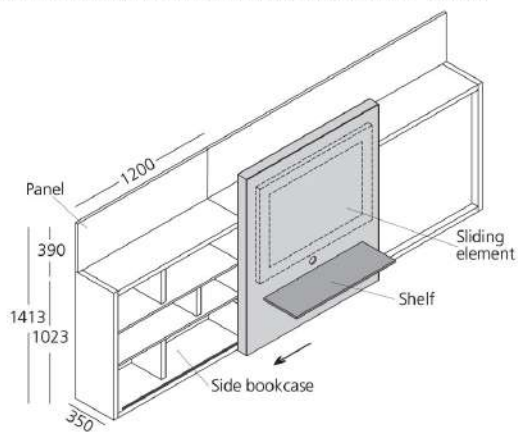


**Section**



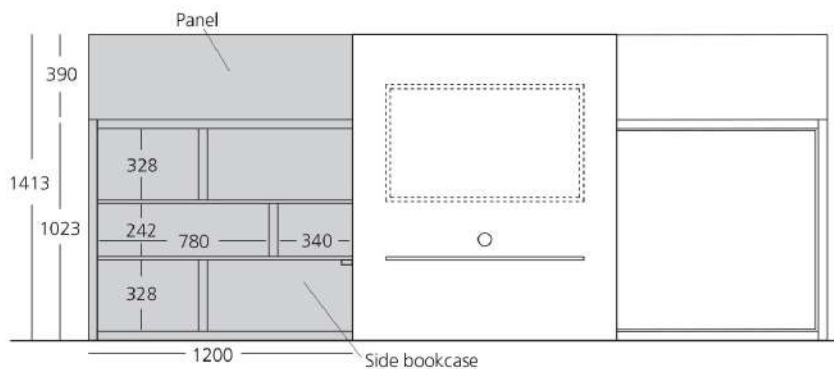
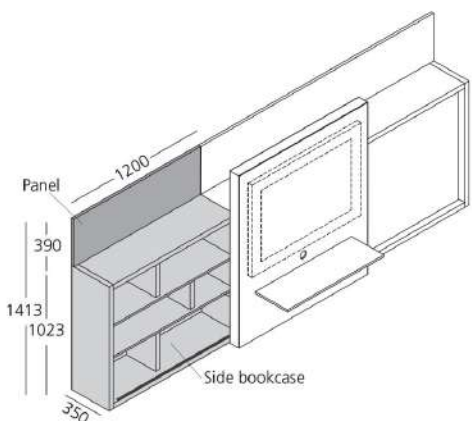
**Sliding element**

Furnished with cable grommet and TV support  
 Dimensions: W 1200 mm x D 88 mm x H 1425 mm  
 Shelf: dimensions W 900 mm x D 300 mm x H 16 mm



**Side bookcase**

Dimensions: W 1200 mm x D 350 mm x H 1023 mm  
 Panel dimensions W 1200 mm x Th 22 mm x H 390 mm



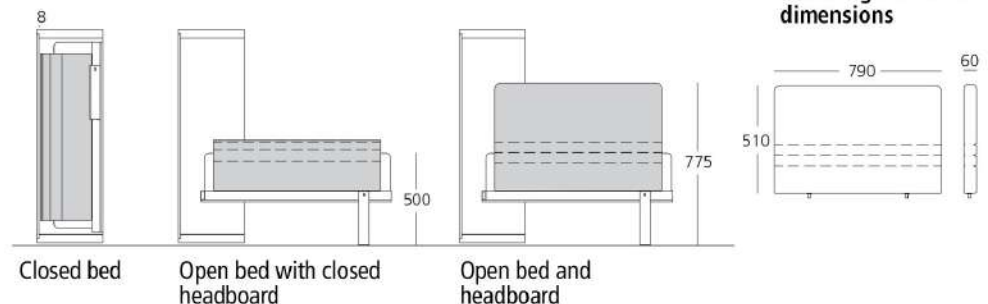
**Reclining padded headboard**

Iron frame with expanded, cold-cured polyurethane foam padding and with removable fabric cover.

Open headboard dimensions: W 790 mm x D 60 mm x H 510 mm

Wash according to the fabric label.

**Section**



**LED light**

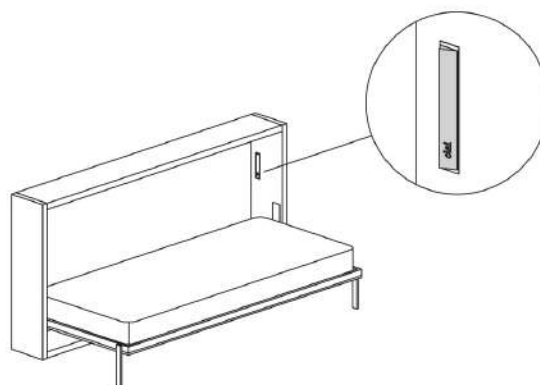
Semi-recessed warm-tone LED system made of an anodized aluminum frame, opaline polycarbonate cover and sensor switch.

The LED used is certified in compliance with EN62471 regulation as part of the "risk-free" category that assures its unlimited maximum safety.

LED 3000°K 1,9 W IP40 75/80 Lm/W EEC A+



Dimensions: W 30 mm x D 9 mm x H 200 mm



**Support arm for TV**

Extendable support arm with 90° rotation around the vertical axis

- TV dimensions max 42 (")

- Capacity (kg): max 14

