

GENERAL TECHNICAL INFORMATION

Dual-function transforming system with foldaway double bed with fold down opening, always ready to use, made with innovative CF97 slatted bed base with extruded anodized aluminum frame with adjustable mechanism integrated with the sofas of various types, sizes and functions.

The transforming system is available in the Nuovoliola 10, Ito 016, Atoll, Swing, Tango and Oslo versions.

The system can stand alone or be integrated and coordinated with the elements of the Living and Young System programs. Removable sofa cover.

Nuovoliola 10 available with or without armrests, with all-over seat cushion, two backrest cushions, two optional side cushions and pill case container under the seat. Liola/Nuovoliola 10 is patent protected.

Ito 016 features a sofa with reclining, sliding seat and integrated extendable footrests.

Atoll is available in the versions with sofa W 1730 mm (Atoll), sofa W 2450 mm with sole seat cushion and double storage space (Atoll 000), sofa W 2810 mm x 2570 mm with fixed seat, storage space and tilting single corner seat to release the bed frame in the night version (Atoll 202).

Swing with one or two optional armrests, is available in the W 2810 mm version with sliding relaxing chaise longue, reclining comfort backrest and with pillow container under the seat (Swing), and the W 1730 mm version with container compartment under the seat (Swing 0).

Tango is available in the fixed (W 2230 mm and 2700 mm) modular versions with fixed and sliding seats (which moves forward by 200 mm), consisting of modular elements with and without armrests, corner elements with built-in storage spaces, end pieces with reclining armrests and chaises longues of varying dimensions. Also available without the bed system (W 1900, 2230, 2700 mm).

Oslo is available in the versions W 3010 mm (with armrests W 270 mm) and W 2870 mm (with armrests W 180 mm) with maxi element, sole seat cushion and armchair component, and in the versions W 2010 mm (with armrests W 180 mm), W 1730 mm (with armrests W 60 mm) only with the maxi component and sole seat cushion. All versions have the pillowcase container under the seat.

- Wooden **frame** with adjustable nylon feet.
 - **Bed base** with curved beech plywood slats mounted to the frame with adjustable nylon/rubber gaskets.
 - weight of bed base: Kg 45
 - weight of bed base + front panels Kg 67
 - **Standard mattresses** H 180 mm, 1540 mm x 2020 mm, weight 29-32 kg.
 - Spring, memory basic, memory - independent spring coils, 7 zone memory, deluxe memory versions.
- For further information on mattresses, please refer to the specific page of the price list.
- Adjustable mattress **locking belts** in nylon with black nylon release fasteners.
 - **Maximum liftable weight** (including mattress, blankets and pillows): kg 102
 - **Maximum load shelf:** 20 kg equally distributed

Standard finishes:

Structure:	Melamine White, Oak Sabbia, Oak Moro, Perla, Tortora, lacquered as per Cleicoloursystem, Wavy Walnut Wood, Smoked Oak Wood.
Front:	Melamine White, Oak Sabbia, Oak Moro, Perla, Tortora, Cemento, Glossy White Dialux, lacquered as per Cleicoloursystem, Wavy Walnut Wood, Smoked Oak Wood.
Back:	Melamine White, Oak Sabbia, Oak Moro, Perla, Tortora, lacquered as per Cleicoloursystem.

N.B.: Made-to-measure sizes are not possible.

CF97 BED BASE: Technological Innovation

- **Bed base** made of extruded anodized aluminum bed frame with integrated adjusting mechanism (Fig. 1).
 - Springs integrated in the frame and calibrated for the base's opening and closing system (Fig. 2), which rotates and slides on polizen cams (Fig. 3)
- **Technology and design:** Opening and closing are performed with a simple gesture using the handle, fixed or extendable, integrated on the front shelf that, thanks to the tilting movement (Fig. 4-5), becomes the bed support. The shelf remains parallel to the ground while the bed is being opened, so objects placed on it do not need to be removed (Fig. 1)
- **Functionality and design:** No hardware required for front panel mounting. (Fig.4)

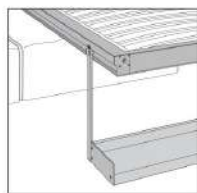


FIG.1

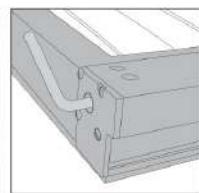


FIG.2

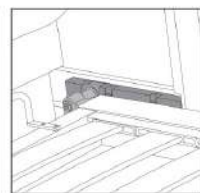


FIG.3

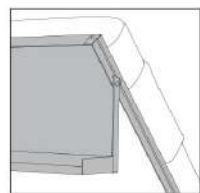


FIG.4

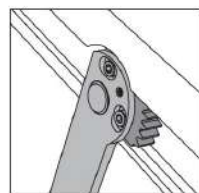


FIG.5

WARNINGS: Assembly and Safety



THE MODELS DESCRIBED ABOVE ARE SELF-SUPPORTING.

They are delivered in separate parts and accompanied by specific assembly instructions.

They must be assembled standing on a perfectly flat floor.

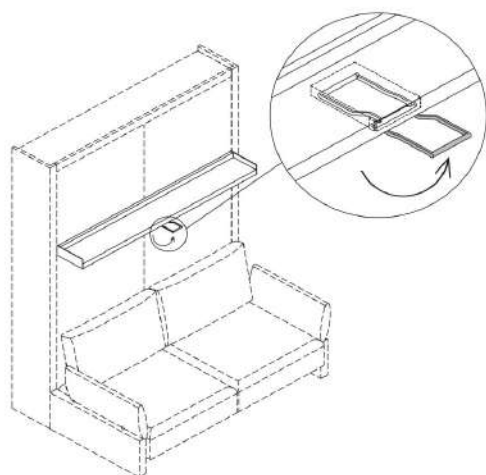
With folding mechanisms for functionally related components of the system, models may undergo imperceptible vibrations or minimum movements which can be avoided by anchoring the transforming system to the support against which it is installed.

Extendable and fixed handle

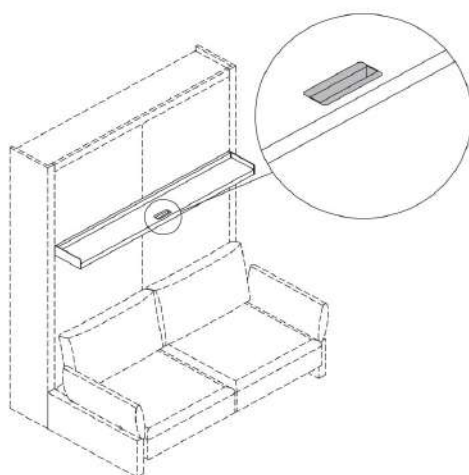
Extendable and fixed handle to assist opening, both recessed in the front shelf of the transforming systems:

- Standard extendable handle for TANGO, OSLO and Optional for NUOVOLIOLÀ 10 - ITO 016 - ATOLL - SWING
- Standard fixed handle for NUOVOLIOLÀ 10 - ITO 016 - ATOLL - SWING.

Extendable handle



Fixed handle



Accessories - NUOVOLIOLÀ 10 - ITO 016 - ATOLL - SWING - TANGO - OSLO

Double Soft padded headboard

Textile padded headboard for bed, fixed directly to the backrest panel with press-studs (Dacron padding, 60 mm thick).

Dimensions: W 1540 mm x D 60 mm x H 640 mm

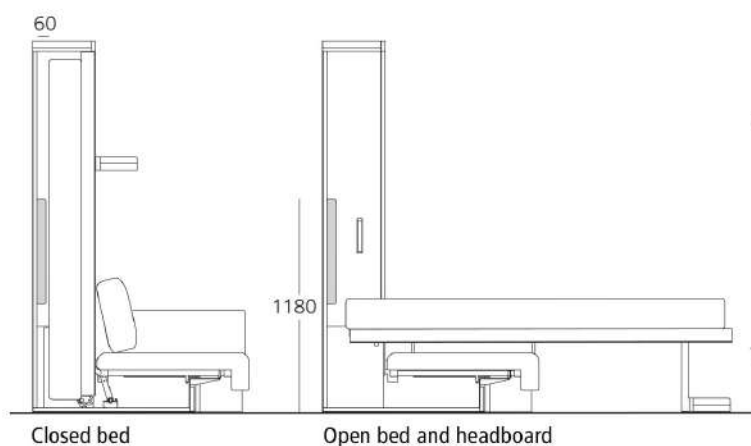
Double Tight padded headboard

Fabric headboard with internal MDF support, fixed directly to the back panel with high strength velcro.

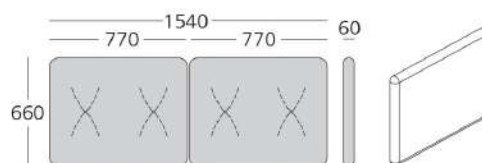
Padding in foam, rear part upholstered with cloth, thickness mm 30.

Dimensions: W 1650 mm x D 30 mm x H 760 mm

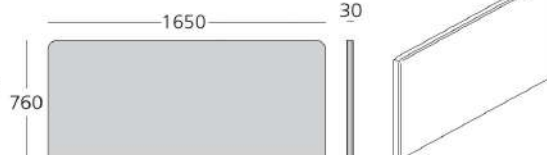
Section



Soft headboard dimensions



Tight headboard dimensions



LED light

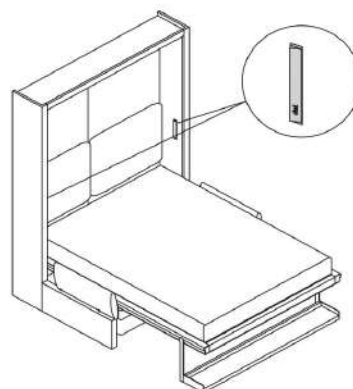
Semi-recessed warm-tone LED system made of an anodized aluminum frame, opaline polycarbonate cover and sensor switch.

The LED used is certified in compliance with EN62471 regulation as part of the "risk-free" category that assures its unlimited maximum safety.

LED 3000°K 1,9 W IP40 75/80 Lm/W EEC A+



Dimensions: W 30 mm x D 9 mm x H 200 mm



SWING - Sofa with foldaway double bed transforming system – CF97 Bed Base

GENERAL TECHNICAL INFORMATION

Dual-function transforming system.

Swing Sofa consists of divided seat cushion, removable backrest cushions; integrated with always ready, foldaway bed with fold down opening and CF97 slatted bed base.

The backrest cushions are removed before opening and are kept in the container compartment under the seat structure.

On opening the bed, the pivoting front shelf becomes the ground support for the bed.

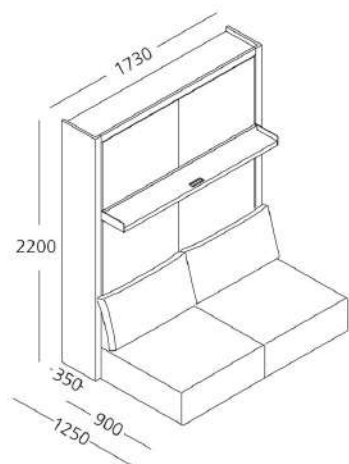
The sofa is produced in two versions with pillow compartment underneath the seat.

The transforming system can be standalone or integrated with modular elements of the Living and Young System programs.

Swing "0" Sofa W 1730 mm with seat and storage space, removable backrest cushions and one or two optional armrests (W 180 mm).

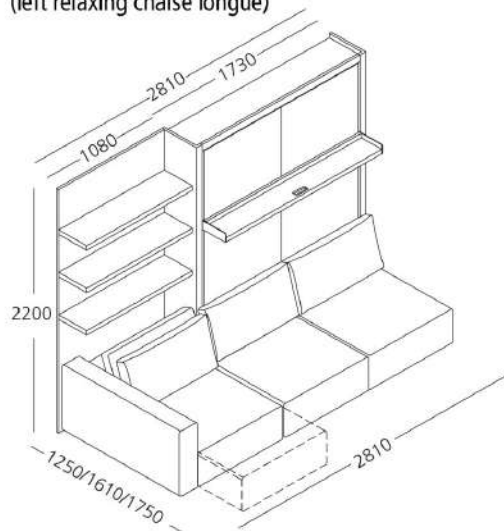
Swing Sofa W 2990 mm with sliding relaxing chaise longue (right or left) in three positions, reclining comfort backrest and container under the seat, removable backrest cushions. With a fixed and an optional armrest (W 180 mm).

SWING"0"

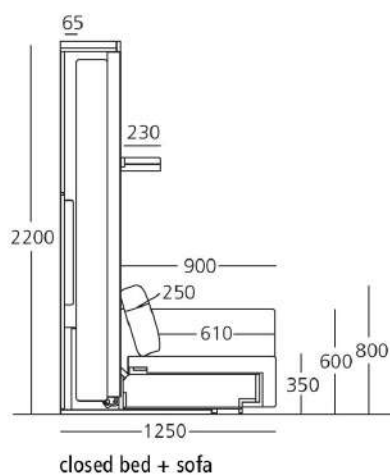


SWING

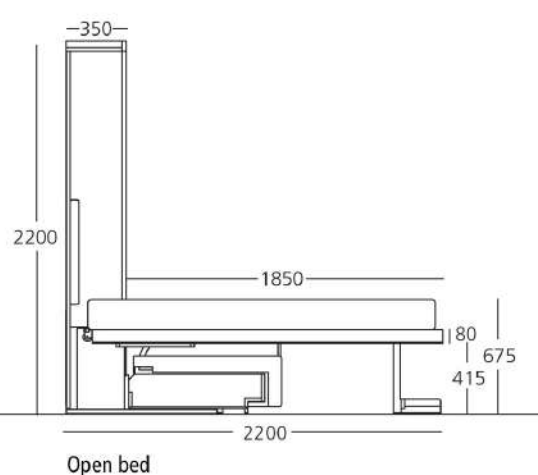
(left relaxing chaise longue)



Section



closed bed + sofa



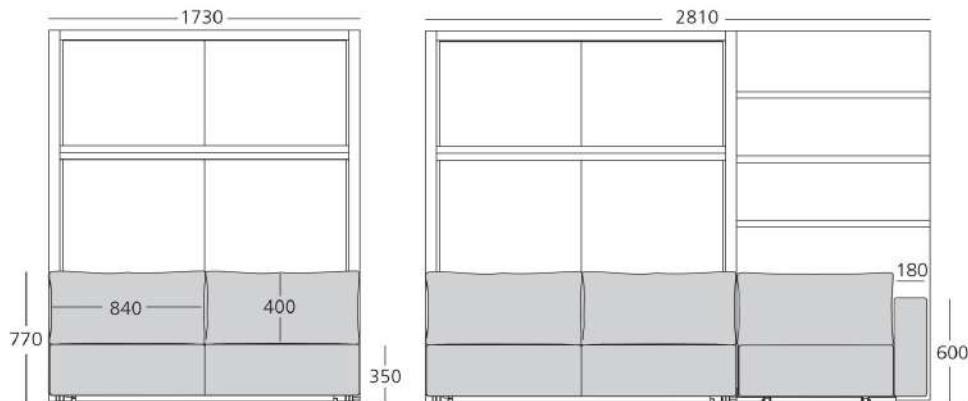
Open bed

SOFA TECHNICAL FEATURES

- **Structure** in iron with epoxy powder paint and strips of poplar plywood fixed to the frame
- **Armrest and backrest reclining structure** in poplar plywood, padded with foam and covered in resinated Dacron coupled with jersey
- **Seat springs** made of interwoven reinforced elastic straps.
- **Seat** made of foam of differing densities and upholstered with a layer of Dacron coupled with cotton cloth.
- **Backrest cushions:** made of Piuma & Fill, a padding system made of natural goose feathers, washed and sterilized according to the strictest European regulations and from hollow cold-extruded silconized polyester fiber flakes with constant denier and shaped like tiny springs. All the cushions are covered in white 100% cotton cloth that protects the contact with the padding
- **Covered** in completely removable fabric or leather
- **Length required for sofa cover:**
SWING"0"
 - Fabric Ml. 5,2 in H. 1,40 - Leather m² 8,0
SWING
 - Fabric Ml. 12,5 in H. 1,40 - Leather m² 19,20
 - Wash according to the fabric label.

Front view of Swing "0"

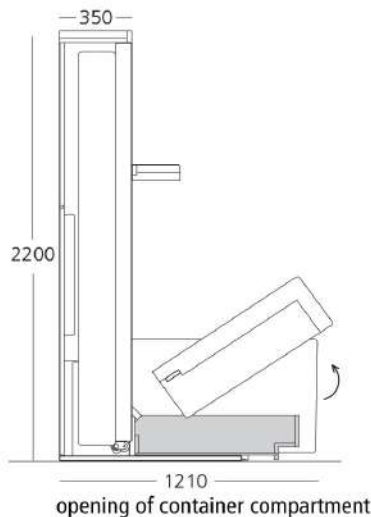
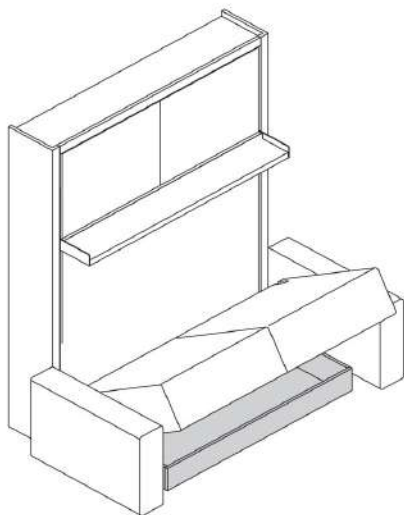
Front view of Swing (right relaxing chaise longue)



Pillow container under the seat

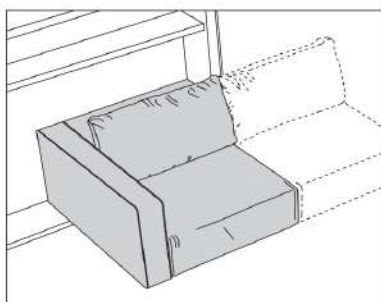
Opened by a piston lifting system.
 Internal compartment dimensions: W 1475 mm x D 792 mm x H 228 mm

Section

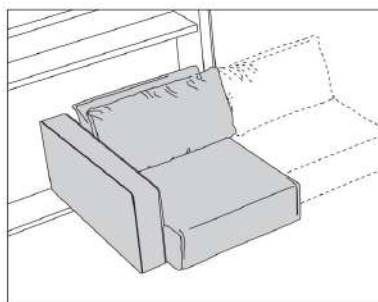


Relaxing chaise longue

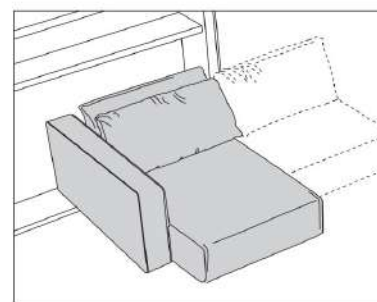
Sliding to three positions (D 1250/1610/1750 mm) and reclining comfort backrest



1 - standard seat (D 1250 mm)
 straight comfort backrest



2 - lounge seat (D 1610 mm)
 partially reclined comfort backrest



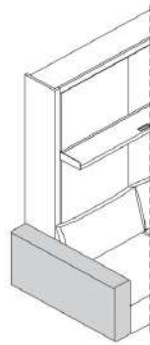
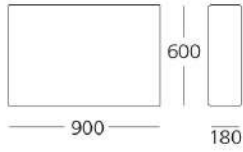
3 - Chaise longue seat (D 1750 mm)
 reclined comfort backrest

Side armrests



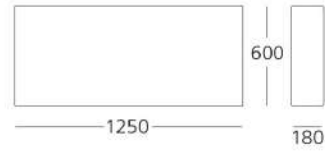
Short armrest

Option to insert in the fixed sofa side as an end for compositions that involve the use of open columns with a depth of 350 mm, with folding door or with fixed door.



Long armrest

Option to insert in the fixed sofa side as an end



SWING -Design guide, composition and integration with the Living and Young System programs

Warnings for using short armrest on the SWING sofa

Combination with open storage units, storage units 35 mm D with fixed lower door and with boiserie

column / open elements

column with fixed lower door

standard boiserie

