

## GENERAL TECHNICAL INFORMATION

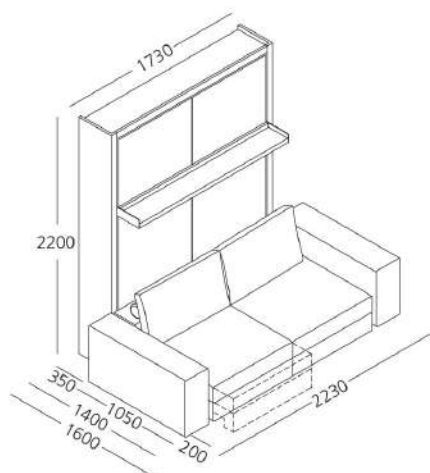
Dual-function transforming system.

Modular Tango Sofa with fixed and sliding seats (seat extension 200 mm) consisting of elements with and without armrests, corner elements and end parts of various dimensions and enables many types of arrangements; integrated with always ready foldaway double bed, with fold down opening and CF97 slatted bed base.

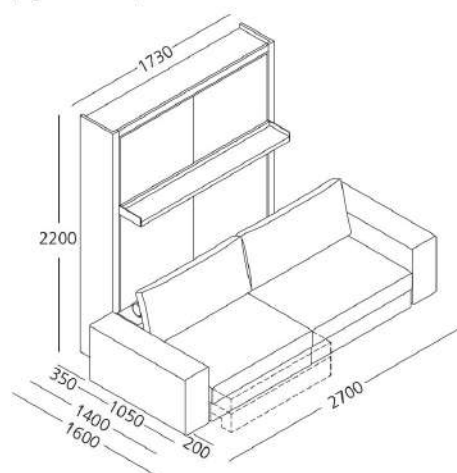
The backrest cushions are removed before folding and the rear stuffed shelf is rotated by 180°. On opening the bed, the tilting front shelf becomes the ground support for the bed.

TANGO sofa is also available in the standalone version, without the transforming bed system, 2 seater W 1900 mm, intermediate W 2230 mm and 3 seater W 2700 mm.

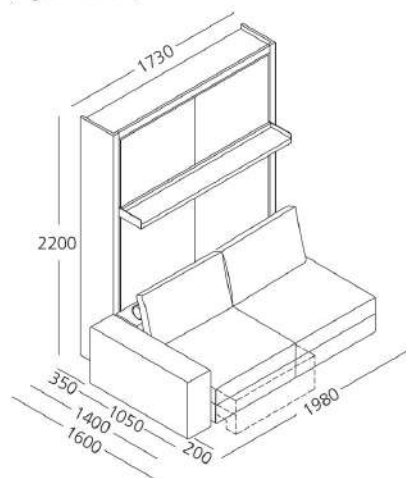
**Tango Sofa 223**



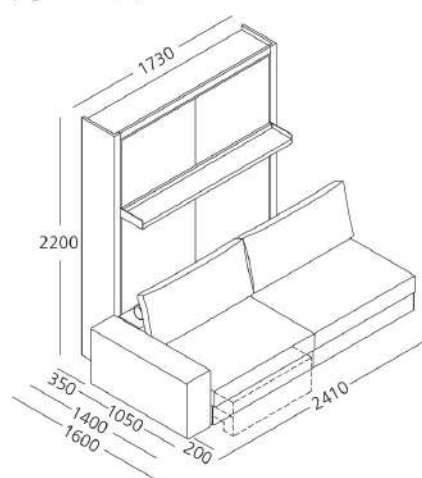
**Tango Sofa 270  
(right version)**



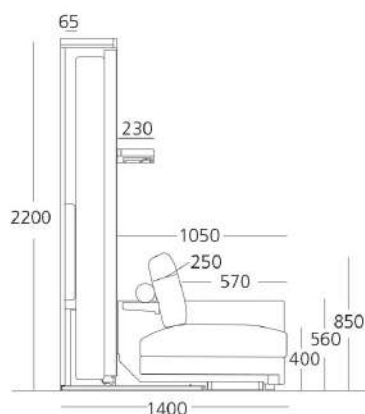
**Sofa Tango 198  
(right version)**



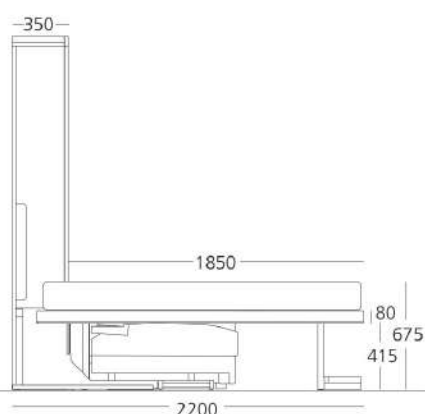
**Modular Tango 241  
(right version)**



## Section



Closed bed + sofa



Open bed

## SOFA TECHNICAL FEATURES

- **Structure** poplar and chipboard plywood. Foam padded. Covered in resinated Dacron couple with jersey
- **Armrest** structure in poplar and chipboard plywood Foam padded and covered in Dacron coupled with jersey.
- **Rear shelf:** high density cold foam padded. Inserted in metal covered in resinated Dacron coupled with jersey
- **Seat cushions** made of feathers with the insertion of extractable and interchangeable non-deformable foam. The cover is in cotton fabric that protects against contact with the padding.
- **Backrest cushions:** made of Piuma & Fill, a padding system made of natural goose feathers, washed and sterilized according to the strictest European regulations and from hollow cold-extruded silconized polyester fiber flakes with constant denier and shaped like tiny springs. The integrated bolster is in foam covered in Dacron coupled with jersey. All the cushions are covered in white 100% cotton cloth that protects the contact with the padding
- **Reclining end cushion** for the module TAN138RT is made of metal frame padded with foam and feathers and covered in cotton fabric.
- Covered in completely removable fabric or leather

### - Length required for sofa cover:

TANGO Sofa 223

Fabric Ml. 10,0 in H. 1,40 mm - Leather m<sup>2</sup> 15,30

TANGO Sofa 270

Fabric Ml. 11,5 in H. 1,40 mm - Leather m<sup>2</sup> 17,60

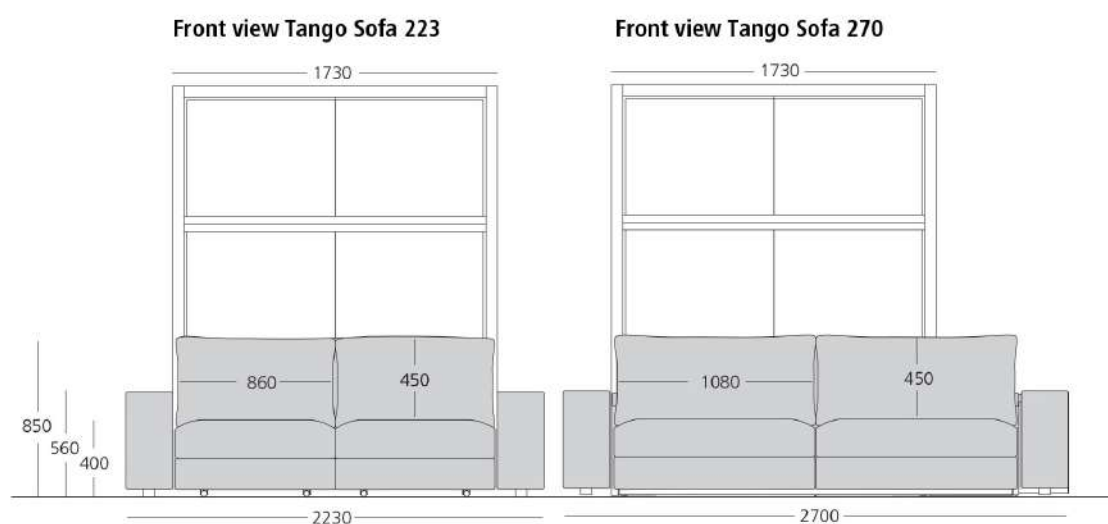
Modular TANGO Sofa 198

Fabric Ml. 9,0 in H. 1,40 mm - Leather m<sup>2</sup> 13,80

Modular TANGO Sofa 241

Fabric Ml. 10,1 in H. 1,40 mm - Leather m<sup>2</sup> 15,50

- Wash according to the fabric label.



## TANGO - Design guide, composition and integration with the Living and Young System programs

Warnings for 180 mm - 250 mm W sofa armrest - TANGO sofa

Combination with open storage units, storage units 35 mm D with fixed lower door and with boiserie

**N.B.:** Do not use column with open folding doors

