

GENERAL TECHNICAL INFORMATION

Transforming system with single or intermediate foldaway vertical bed with folding opening and slatted bed

Folding mechanism with visible gas springs, mounted to the structure, with devices that remain perfectly locked in both positions of use. The bed rests on metal feet, which protrude from the bed base in the opening phase.

The model is available in the Standard, Desk (desk top) and Work (table) versions.

The system can stand alone or be integrated and coordinated with the elements of the Living and Young System programs.

Telemaco Standard is available in single bed version with 850 mm wide mattress and intermediate version with 1150 mm wide mattress.

Telemaco Desk is available in the single and intermediate bed versions, featuring a desk top which, for the night configuration, is positioned horizontally under the bed base with a tilting movement, without the need to remove objects placed on it.

Telemaco Work is available in the single version, featuring a table perpendicular to the front of the unit, which, for the night version, is positioned under the bed base with a tilting movement, without the need to objects placed on it.

- Wooden **frame** with adjustable nylon feet.

- **Bed base with frame** in tubular steel frame and slats in solid beech plywood attached to the frame with nylon/rubber seals.

- weight of Telemaco 90 bed base: Kg 20 - weight of Telemaco 120 bed base: Kg 23

- weight of Telemaco 90 bed base + front panel Kg 32 - weight of Telemaco 120 bed base + front panel: Kg 38

- Standard **mattresses** H 180 mm single bed 850 mm x 1970 mm, weight 14-16 kg, intermediate bed 1150 mm x 1970 mm, weight 21-23 kg Spring, memory basic, memory - independent spring coils, 7 zone memory, deluxe memory versions. For further information on mattresses, please refer to the specific page of the price list.

- Adjustable mattress **locking belts** in nylon with black nylon release fasteners.

- **Maximum liftable weight** (including mattress, blankets and pillows): Telemaco

- Telemaco 90: kg 52 - Telemaco 120: kg 63

- **Standard finishes:**

Structure: Melamine White, Oak Sabbia, Oak Moro, Perla, Tortora and lacquered as per Cleicoloursystem.

Front: Melamine White, Oak Sabbia, Oak Moro, Perla, Tortora, Glossy White Dialux, lacquered as per Cleicoloursystem.

Back: Melamine White and lacquered as per Cleicoloursystem.

Decorations: Prints, Quadra - Petalo - Wave, fixed configurations as per chapter decorations of the pricelist.

N.B.: Made-to-measure sizes are not possible.

WARNINGS: Assembly and safety



THIS MODEL MUST BE FIXED TO THE WALL

This product is delivered disassembled and provided with specific assembly instructions.

The product must be anchored to walls using 3 anchor points and must stand on perfectly level floors.

A hardware kit is supplied for assembly, but it does not include wall plugs which, in order to guarantee safety, must be chosen by the installer based on the type of wall or partition where the product is to be installed, and which the manufacturer does not know.

The installer is responsible for workmanlike assembly and testing of the product.

For further specific warnings, please see page 15 of this price list and the instruction booklet that is supplied with each product inside the packaging.

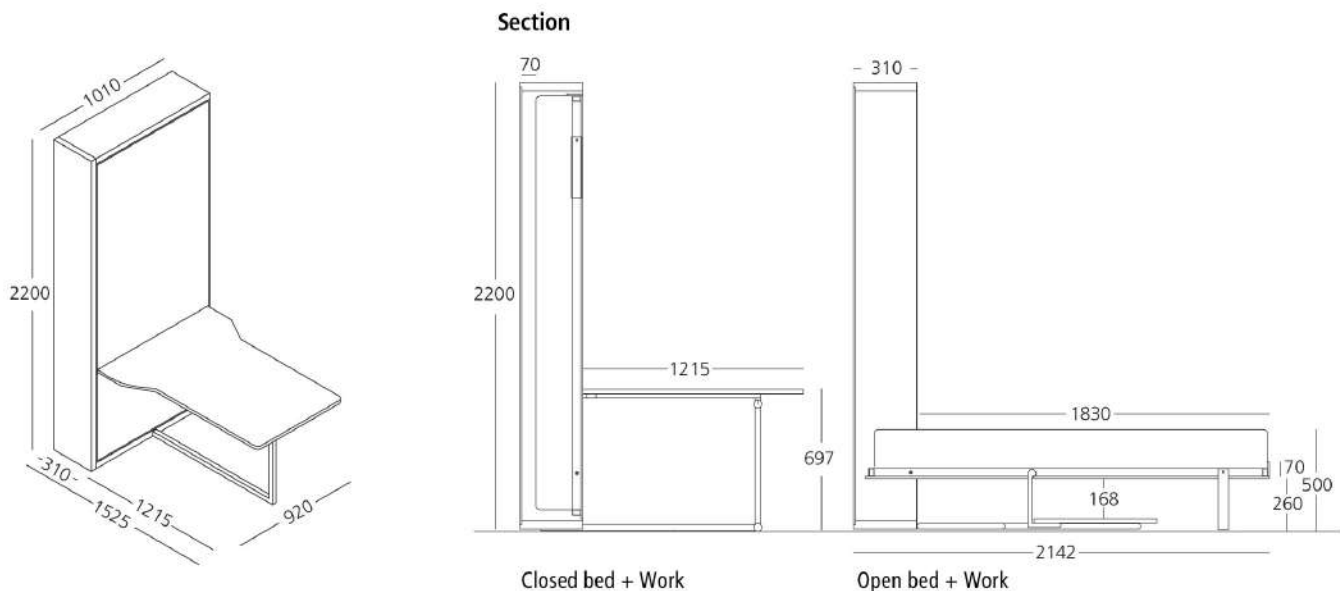
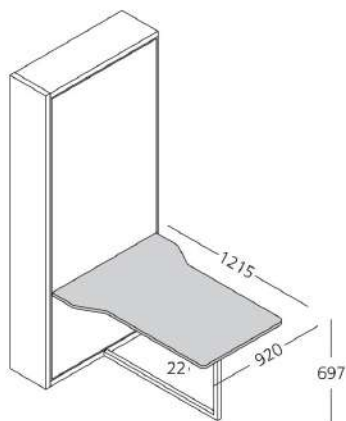


TABLE TECHNICAL FEATURES

Writing desk top with opening mechanism and powder-coated tubular metal support connected to the bed in the same color as the bed base.
Maximum load: 35 kg equally distributed



TELEMACO 90 WORK

Transforming system with foldaway single bed with folding opening and up tilting table.

Dimensions:

- WORK writing desk W 920 x D 1215 x H 697 mm
- Closed bed W 1010 x D 310 x H 2200 mm
- Closed bed + WORK W 1010 x D 1525 x H 2200 mm
- Open bed W 1010 x D 2142 x H 2200 mm
- Single mattress W 850 x D 1970 x H 180 mm
- Weight 14-16 kg

Decorations:

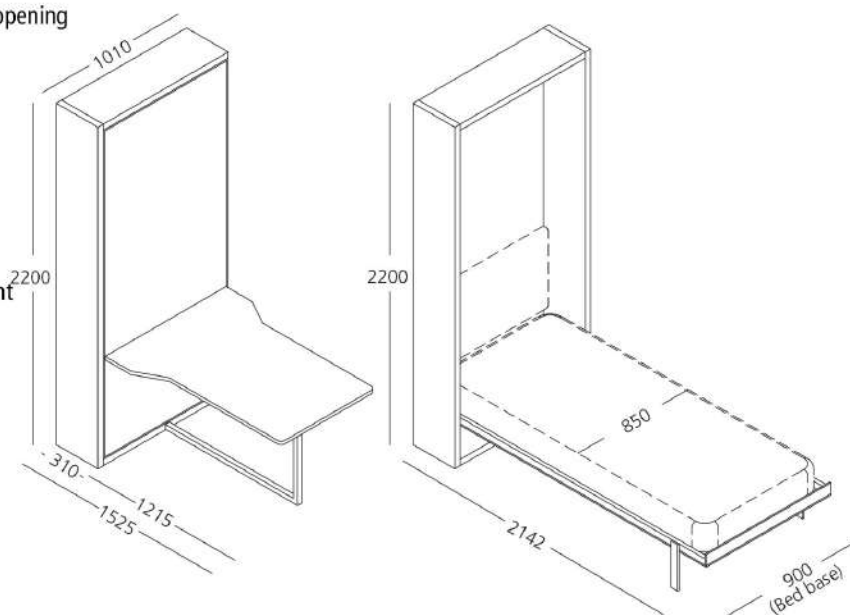
For combinations and print decorations applicable to the front panel, see the dedicated page.

Accessories:

- Padded headboard
- LED light, specify right or left side
- Mattress

N.B.: Bed back panel available in Melamine White and lacquered version

THIS MODEL MUST BE FIXED TO THE WALL

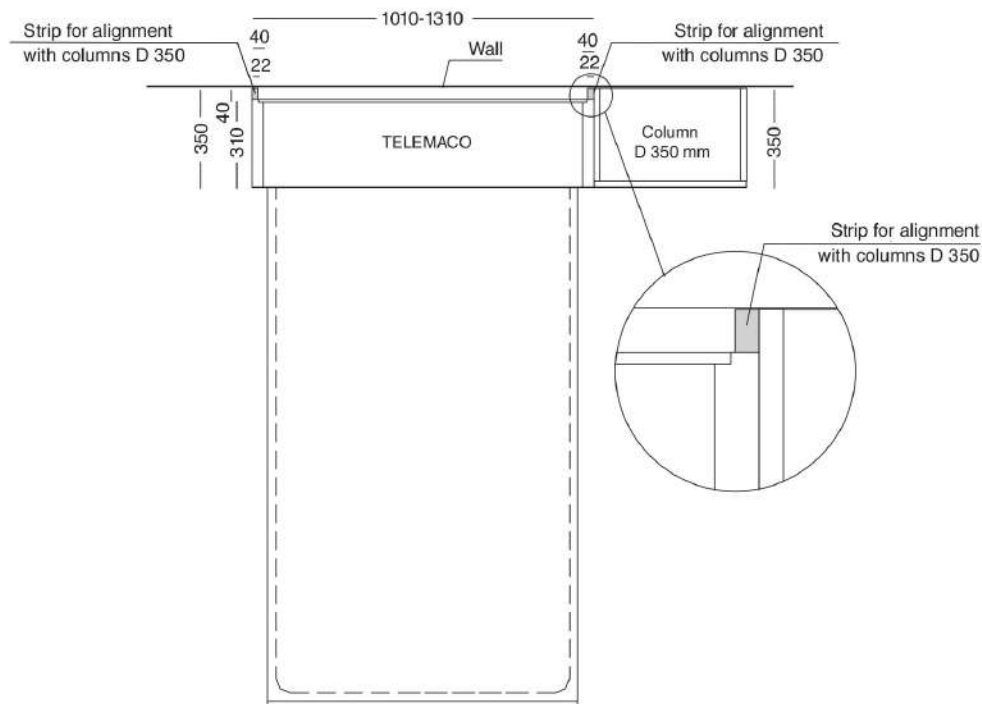


TELEMACO 90 WORK	Code	Melamine White	Mel Oak Sabbia/ Oak Moro/ Perla/Tortora	Lacquered	White Dialux	Print Decorations		
Combination of components finishes								
Structure	TEL90ST							
Back panel	TELSSC		mel. White					
Front panel with bed base	TEL90FA							
WORK writing desk	TEL90SC							
TOTAL								

N.B.: Prices do not include mattresses, textile parts and LED light unless expressly indicated.

ALIGNMENT TO COLUMN D 350 mm

Alignment system for the Telemaco model to the columns 350 mm deep. Two wooden strips are supplied, mounted to the column sides in the same colors as the furniture, which act as spacer and side fixing point. For upper fixing to the wall, special brackets are supplied.



	Code	
Alignment strips	ALTEL	

PRINTS: TELEMACO 90 and 120

Quadra, Wave, Petalo versions

It is possible to carry out digital printing only on the front panels, on White Dover lacquer finish and in the fixed configurations shown in the "Decoration" section. Proportions of prints vary depending on the size of the front panel. Features and colour of print are indicative and could slightly vary, with reasonable tolerance.

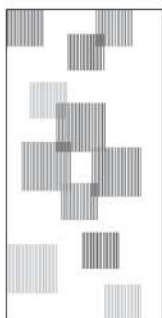
By placing the order and by related confirmation, client accepts these tolerances.

N.B.: Always specify the name and fixed colour combination.

Customised decorations or changes to the fixed colour combinations are not possible.

Prints on the TELEMACO 90 front panel

QUADRA

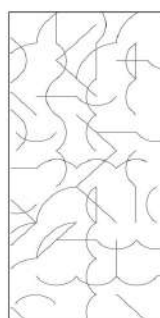


PETALO



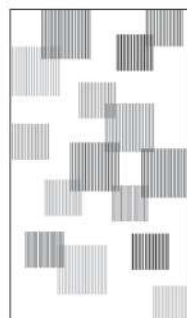
Specify right or left side

WAVE



Prints on the TELEMACO 120 front panel

QUADRA

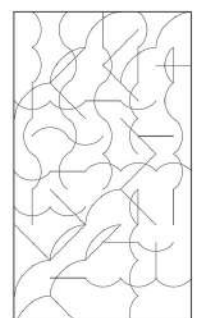


PETALO



Specify right or left side

WAVE



	Code	
TELEMACO 90 panel with print	TEL90FA	
TELEMACO 120 panel with print	TEL120FA	