

# TONALE 201 - 281 - Sofa with convertible double bed system L mm 1670

## versions with manual opening and motorized opening Power + free sofa

CF09 network - patent protected

### GENERAL TECHNICAL INFORMATION

Double function transformable system.

#### Sofa Tonale manual

opening, L mm 201 and 281, consisting of a maxi element with divided seat cushions and armchair element (right - left), integrated with a retractable vertical double bed, with patented CF09 slatted base, folding opening and safety device which prevents accidental opening and closing.

Sofa also available in free version.

Articulation mechanism with amortized gas springs, recessed into the side of the cabinet using patented technology. Easy installation thanks to the automatic device. The panel fixing system does not require hardware.

When the bed is opened, by removing the back cushions, the sofa with tilting structure moves forward and positions itself under the bed with a translational movement. The transformable system is made in depths 350 mm (with textile headboard) and 623 mm (with wooden headboard, pillow holder and shelves).

It can be autonomous or integrated with the modular elements of the Living & Young System program.

Integrated sofa L 201 x P 92 mm - L 281 mm x P 92 Free  
sofa L 201 x P 92 mm

#### Power Sofa motorized opening L mm

201 and 281, same characteristics of the manual version.

Automated system controlled by a push-button panel positioned on the side of the cabinet for opening and closing the bed, by means of linear actuators and amortized gas springs, with an acoustic obstacle detection device, built into the side of the cabinet using patented technology.

- Super Push opening and closing, in just 15 seconds -

Manual opening in case of power failure (see instruction manual)

- Wooden **structure** with adjustable iron and nylon feet - **CF09**

**bed base** in bent sheet metal, aluminum gray epoxy paint, with platform made of curved multilayer beech slats fixed to the frame with adjustable nylon / rubber gaskets,

W 1560 mm x D 2084 Net Kg 52 Bed base with front panel Kg 74 - Standard **mattresses** cm 150x198 -Kg 29-32 Versions smart springs - smart memory basic - independent springs - 7 zone memory - memory deluxe For more information, see the pages dedicated to mattresses.

- Adjustable nylon mattress stop **straps** , with black nylon release buckles.

- **Maximum lifting load** (including mattress, set of sheets / blankets): 109 kg

- Standard finishes:

Structure: White, pearl, graphite, walnut, sand oak, dark oak and lacquered melamine in the Cleicoloursystem sample variants.

Facade: White melamine, pearl, graphite, walnut, sand oak, dark oak, Glossy White Dialux, lacquered in the Cleicoloursystem sample variants,  
Decor 3D printing.

Backrests: White melamine and lacquered in the Cleicoloursystem samples.

**NB: custom cuts are not possible.**

PATENTED NET CF09: Technological innovation



### WARNINGS: Assembly and Safety



#### WALL FIXING IS MANDATORY

The product is supplied disassembled and assisted by specific assembly instructions.

It must be placed on perfectly level floors.

With the articulation movements of the interfunctional components of the system, the models could undergo some imperceptible vibrations, which can be avoided by fixing the transformable furniture to the support support.

The installer is responsible for the professional assembly and testing of the product.

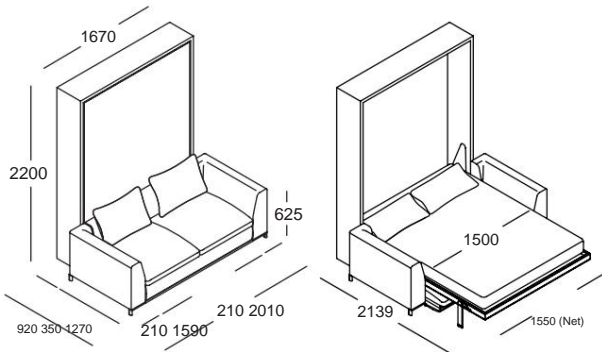
For further specific warnings, please refer to p. 15 of this price list and the instruction manual supplied with the product inside the packaging.

TONALE 201 - 281 - Sofa with convertible double bed system L mm 1670

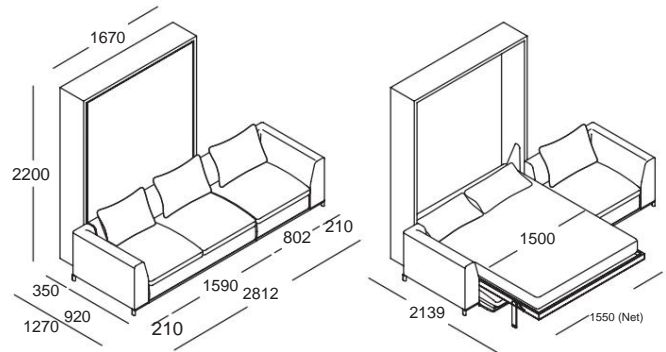
versions with manual opening and motorized opening Power

CF09 network - patent protected

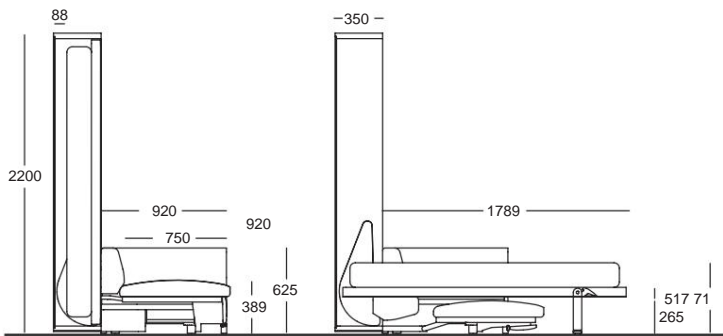
TONAL 201 P. 35



TONALE 281 P. 35 (right version)



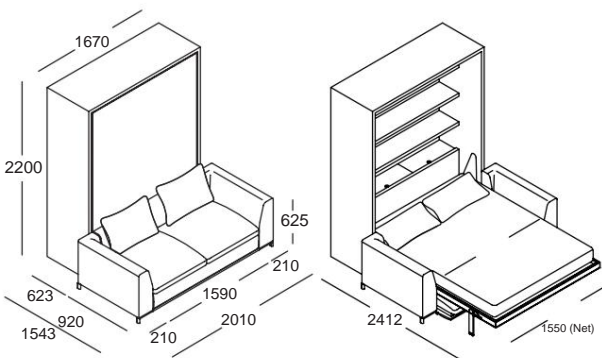
Section



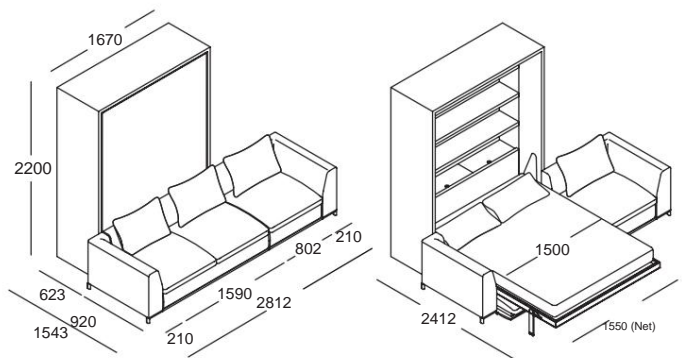
Closed mobile bed + Sofa

Open bed cabinet

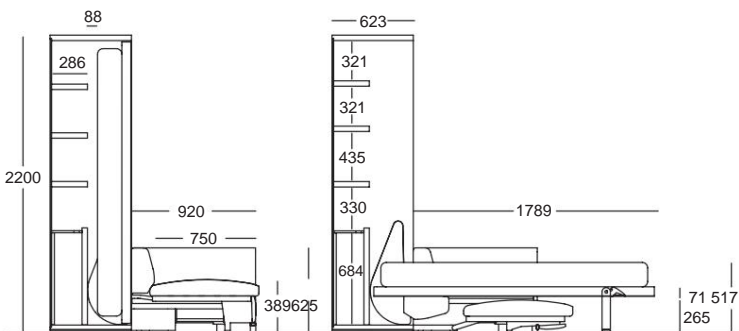
TONAL 201 P. 62.3



TONALE 281 P. 62.3 (right version)



Section



Closed mobile bed + Sofa

Open bed cabinet

# TONALE 201 - 281 - Sofa with convertible double bed system L mm 1670

## versions with manual opening and Power motorized opening

CF09 network - patent protected

### SOFA TECHNICAL FEATURES

- Iron **structure** with epoxy powder coating - Seat **springing** made with interwoven reinforced elastic straps.
- **Seat cushions** in non-deformable foam in different densities T25 and T30, covered in coupled / resin-coated interliner.
- **Back cushions**: in Piuma & Fill, a padding system consisting of natural washed and sterilized goose down and polyester fiber siliconed mixed together, covered in 100% white cotton canvas. Rear backrest cylinder in T25 foam covered in interliner coupled with 100 g resin.
- **Fixed back**: T40 and T25 foam in different densities covered in coupled / resin-coated interliner and 3 mm three-body interliner.
- **Fixed side chair back** (Tonale 281 version): T40 and T25 foam in different densities covered in coupled / resin-coated interliner.
- **Cover**: completely removable in fabric or leather.
- Iron frame **armrests** and high-density cold-foam foam padding, covered in coupled / resin-coated interliner.
- Armrest foot adjustment



- **Maximum** capacity of the sofa 250 kg
- **Optional** feather lumbar cushions.

- Required footage for sofa upholstery:

TONALE 210 2 seater sofa

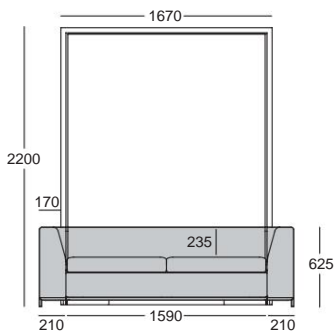
MI fabric. 8.70 in H. 1.40 mm - Leather Mq. 13.30

TONALE 281 3 seater sofa

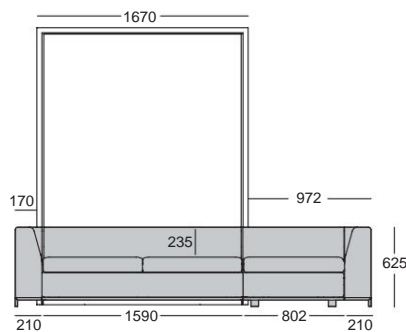
MI fabric. 12.50 in H. 1.40 mm - Leather Mq. 19.10

- Washing according to the fabric label.

### SOFA



(Fig. 1)  
sofa TONALE 201 - two seater



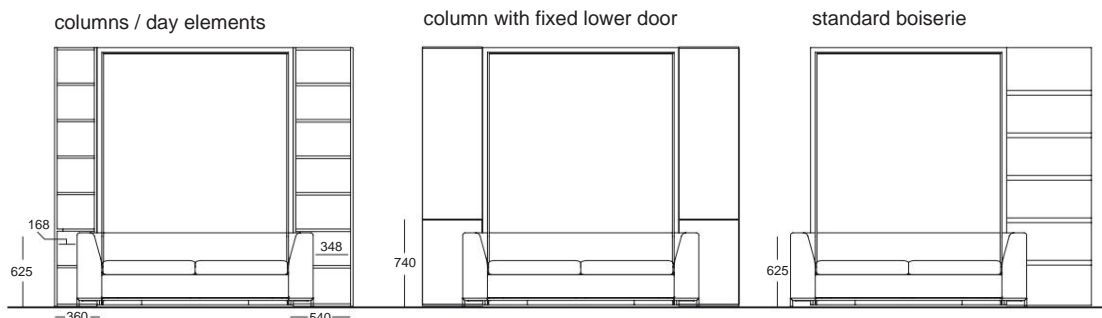
(Fig. 2)  
TONALE 281 sofa - three seater (right version)

## TONALE - Project guide, combinations and additions to the Living & Young System program

Warnings for Tonale sofa.

Combinations with open columns, columns with fixed lower door and with boiserie.

**NB:** do not use columns with folding doors.



Accessories

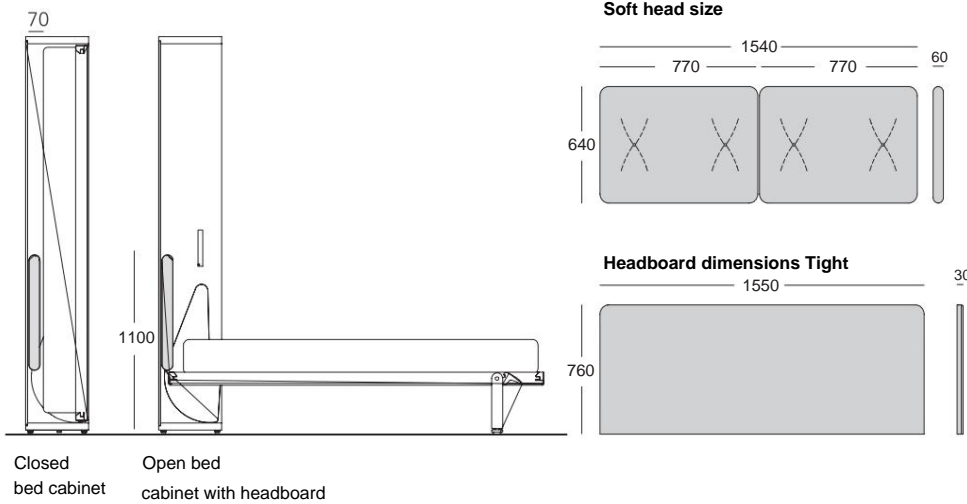
**Soft Solo padded**

headboard for 350 mm depth models.  
 Dacron padding thickness mm 60.  
 Fixed to the back with press studs.  
 Dimensions: mm L. 1540 x D 60 x H 640

**Tight upholstered**

headboard Textile headboard with internal MDF support, fixed directly to the back panel with high-strength velcro.  
 Back foam padding covered with canvas, 30 mm thick.  
 Dimensions: mm L. 1550 x P 30 x H 760

**Section**



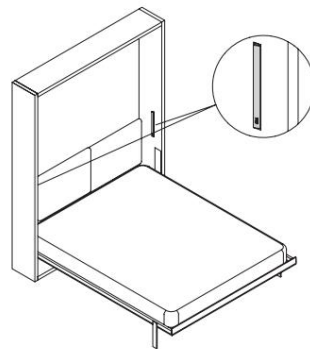
**LED light**

Semi-recessed warm tone LED system made with anodized aluminum profile and opal polycarbonate screen and sensor switch.  
 Compliant with EN62471 in the risk-free group which guarantees maximum safety without limitations.

LED 3000 ° K 1.9 W IP40 75/80 Lm / W EEC A +



Dimensions: mm L 30 x P 9 x H 200



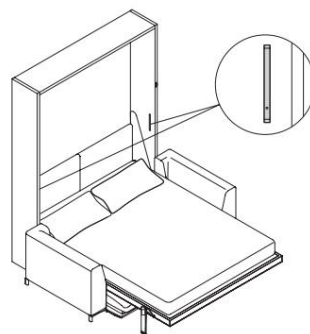
**LED LIGHTS FOR POWER MOTORIZED SYSTEM**

LED system Integrated in the side panels of the cabinet, made with opal polycarbonate profiles, compliant with the EN62471 standard, in the risk-free group and guarantee of maximum safety without limitations.

LED 3000 ° K 1.43 W IP40 108/118 Lm / W EEC A +



Dimensions: mm L 12 x P 1 x H 200



### 3D printing

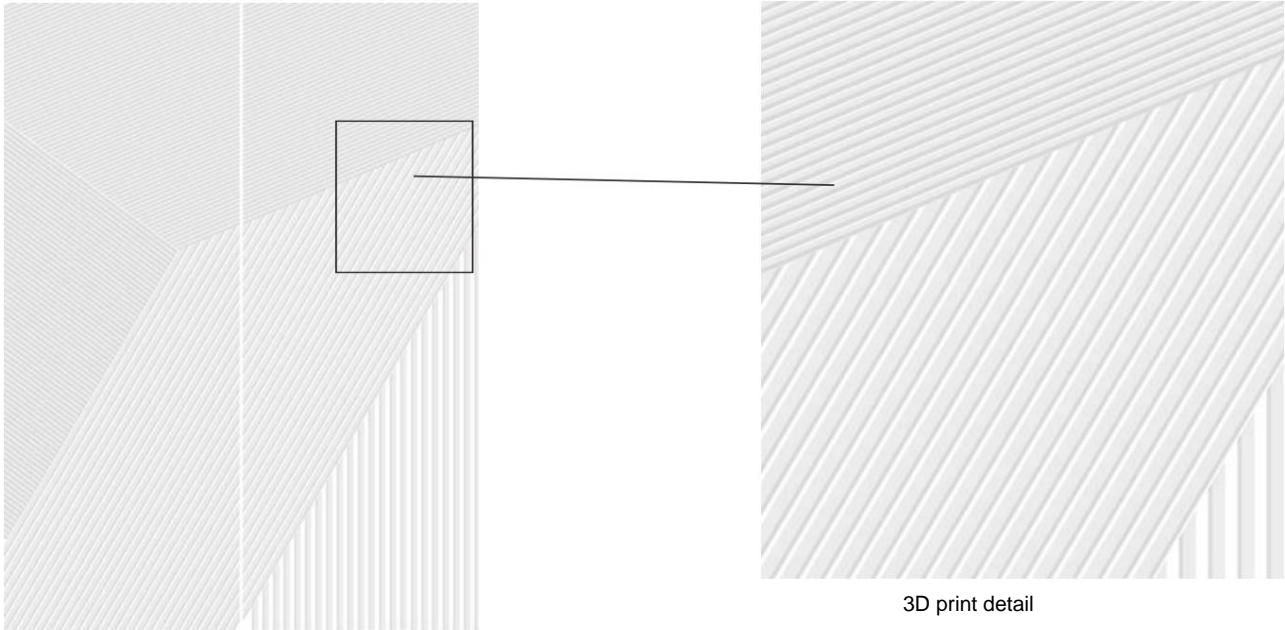
3D printing is performed only on the facade panels, on a base in the white melamine finish and in the standard configuration shown, and then painted in the colors selected from the Cleicoloursystem folder.

The characteristics and the color are indicative and could change with reasonable tolerance.

With the order and its confirmation, the customer accepts these tolerances.

### **WARNINGS:**

- Customized decorations and changes to the proposed colors are not performed.



3D print detail

### **Colors combinable with 3D printing**

- Dover lacquer
  - Sand lacquered
  - Desert lacquered
  - Terracotta lacquered
  - Anthracite lacquered
  - Cocoa lacquered
  - Borneo lacquered
  - Cardinal lacquered
- 
-