

ANNA Arch. Baciocchi Design **Quinti**[®]



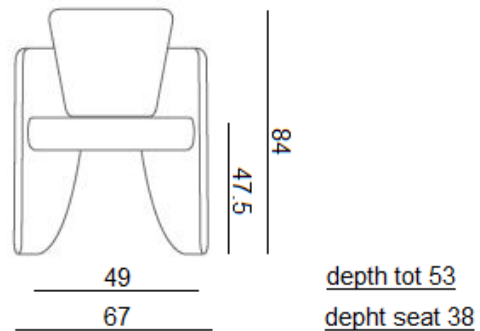
Tub chair suitable for office, home surroundings or contract. Soft and curved lines and a comfortable cushion, 10 cm high, make this chair remarkable

Base

On the standard armchair are assembled two castors in front and two feet behind, but it can be equipped both with feet or with double-treat castors made of nylon or rubber.

Structure

The structure of ANNA is entirely made of steel with elastic belts on the seat and completely cold-foamed.



UPHOLSTERY

BIO-EXPO
CATEGORY 2
300 gr/mt2
100% Propitex FR bacteriostatic
Class 1UNI EN ISO 354:2003
100.000 +/- 10% cycles Martindale

EXTREME
CATEGORY 2
350 gr/mtl
100% Xtreme FR
Class 1 , EN 1021-1/2
100.000 +/- 10% cycles Martindale

LASER
CATEGORY 2
560 gr/mtl
100% Polyester FR
Class 1
80.000+/- 10% cycles Martindale

ECOPELLE
CATEGORY 2
630 gr/mt2
83% PVC, 17% Synthetic
ISO 379-DIN75200-CSERF4/83 10%
cycles Martindale

ERA
CATEGORY 3
448 gr/mtl
100% Trevira CS
Class 1UNI EN ISO 354:2003
100.000 +/- 10% cycles Martindale

LASER PLUS
CATEGORY 3
630 gr/mtl
100% Polyester FR Trevira
Classe1 , 4.000 +/- cycles Martindale

ECOPELLE SOUL
CATEGORY 3
760 gr/mt2
Superficies 100% POLIURETANO,
Base Polyester 85%,17% Cotton
EN1021-1/BS5852 PART 1
>100.000 EN ISO 5470-2

MELANGE
CATEGORY 3
390 g/lin.m
100% Trevira CS
Class 1
80.000 +/- 10% cycles Martindale

JET
CATEGORY 3
365+/- 5% g/lin.m
100% Polyester FR
Class 1
80.000+/- 10% cycles Martindale

ECOPELLE SISTEMA PRO
CATEGORY 3
710 gr/mt2
Surface 93% PVC
Base Polyester 28%
CLASSE1
100.000 CICLI

ECOPELLE VITAX
CATEGORY 3
850 gr/mt2
Surface 98% PVC 2% PU
Base cotton 100%
CLASSE 1
100.000 CICLI

ONE RECICLE
CATEGORY 3
525 gr/mt2
100% recycled polyester
Base cotton 100%
CLASSE 1IM
100.000 CICLI

LANA
CATEGORY 5
500 gr/mt2
75% Lana, 25% polyamide
Class 1
100.000 cycles Martindale

PELLE
CATEGORY 5/6
620 g/lin.m
100% Cow leather
Class 1, EN 1021-1/2

PIED POULE
CATEGORY 6
550 g/lin.m
66% cotton, 34% Polyester
35.000 % cycles Martindale

EUROPOST 2
CATEGORY 6
710 g/lin.m
63% PU, 16% CO, 21% PL
Ini1975 CLASS1emme,UNI9175/FA
50.000% cycles Martindale

PREMIUM /ELEGANCE
CATEGORY 7
100% First quality cow leather
Thickness 1,2/1,4 mm
EN1021-1/2

STEELCUT TRIO
CATEGORY 7
770 g/lin.m
90% New wool worsted, 10% Nylon
Class 1, EN 1021-1/2
100.000 % cycles Martindale

REMIX
CATEGORY 7
415 g/lin.m
90% New wool worsted, 10% Nylon
Class 1, EN 1021-1/2
100.000 % cycles Martindale

VELLUTO DECONTRACTE'
CATEGORY 7
590 g/lin.m
19% CO, 61% PC,10% PL, 10%VI
40.000 % cycles Martindale

MERIT
CATEGORY 7
500g/lin.m
76% Polyester Recycled
24% Polyester
EN 1021-1/2
85.000 % cycles Martindale

VELLUTO
CATEGORY 8
600 g/lin.m
100.000 % PL Flame retardant

PELLE SOFT
CATEGORY 8
100% Cow leather Thickness,8-2 mm
Aniline treatment – First quality
EN1021-1/2

USAGE AND MAINTENANCE

In order to have an optimal maintenance of the products and to preserve the characteristics of the materials by which they are made, it is recommended the following course of action.

FABRICS

Cleaning: check the dedicated selection written on the color Swatch card.

Usage: it is recommended to pay careful attention to the fabrics as they can be cut or ripped easily.

WOODS

Cleaning: clean using a soft cloth, soaked in tepid water. Dry always after the cleaning. Remove immediately any liquid substances or other residue in order to prevent the absorption.

Usage: wooden surfaces, being a natural material, might be subjected to color alterations with sun exposure and use over time. It is reminded that wooden surfaces cannot endure direct heat sources.

METALS

Cleaning: both steel and aluminum surfaces, and the painted ones, have to be cleaned using a soft cloth soaked in tepid water. For the most persistent stains it is possible to dilute mild soap with water moderately. Dry always after the cleaning, using a soft cloth of deer-hide. Do not use cleaning products for steel, chlorine, bleach or other strong products. It is not recommended to use abrasive, scourers, which can scratch the metal surfaces.

Usage: pay attention to the food stains as coffee, coke, fruit juices that can make indelible marks on the surfaces.

WARRANTY

QUINTI guarantees the products will maintain their properties for 6 years from delivery, except normal usury and provided that they will be used according to the guidelines given. QUINTI will replace, free of charge, any product found non-compliant with this warranty, without incurring any other liability of sort. Components, external accessories or materials supplied by the buyer and applied to the products in order to customize them will not be supported by the guarantee. For an optimal maintenance of the products and to keep unchanged the characteristics of the materials with which they are made, some simple attentions are necessary.