



Common

BY NAOTO FUKASAWA

Common

BY NAOTO FUKASAWA

Technical Info EN

2013



Elegant modular system of seats and benches for the waiting areas.

Its configuration allows you to create a timeless landscape because its high-density foam retains its pure lines, even after intensive use.

Its feet and auxiliary tables are done in natural oak hardwood, reminiscent of the modern classics.



Naoto Fukasawa

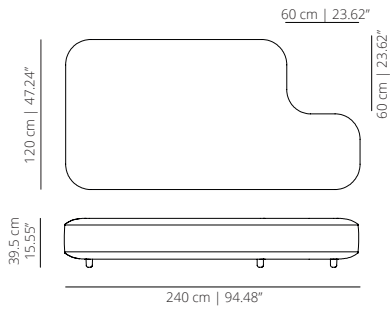
Naoto Fukasawa, born 1956 in Yamanashi Prefecture, Japan, studied art and 3D-design at Tama Art University in Tokyo. He worked as a designer for Seiko-Epson until 1988 and for ID-two in San Francisco from 1989-96. After returning to Japan in 1996, he was head of the firm IDEO's Tokyo office and several years later he opened his own office, Naoto Fukasawa Design, in Tokyo. Since 2001, when he also became a consultant for the MUJI company, his primary focus has been the design of household products and electronic devices.

Fukasawa collaborates with world leading companies and brands in such countries as Italy, France, Germany, Switzerland, Spain, Scandinavian countries and Asian countries while consulting Japanese leading companies locally. His area of work is broad and he works with various fields in design beyond categories. Consulting works for Japanese companies are mainly focused on evaluating their cooperate strategies in line with the mean of sociality and how we define quality of life in order to direct the companies towards where society is inevitably heading. Such consulting work extends as far as to visualise design for their products which marks the company's social responsibilities as well as to visualise their cooperate strategies and Fukasawa's work for consulting has led them to many successful results.

COMMON BENCH

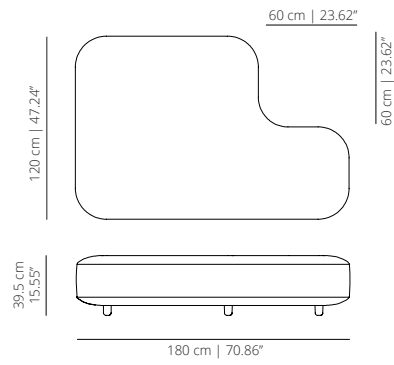
CO240F

bench 240F | bench 94 ³¹/₆₄



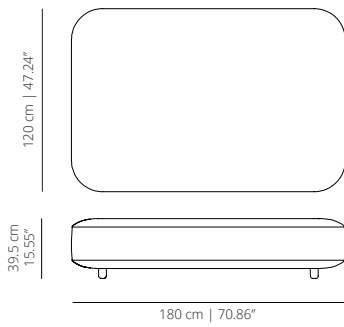
CO180F

bench 180F | bench 70 ⁵⁵/₆₄



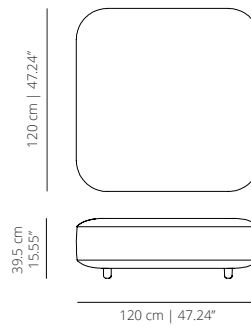
CO180R

bench 180R | bench 70 ⁵⁵/₆₄



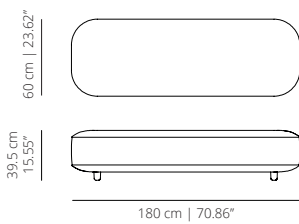
CO120C

bench 120C | bench 47 ¹/₄



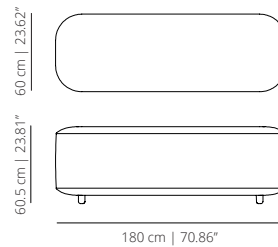
CO180L

bench 240F | bench 70 ⁵⁵/₆₄



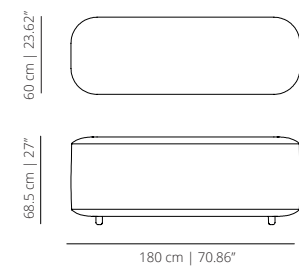
CO180H

bench 180H | bench 70 ⁵⁵/₆₄



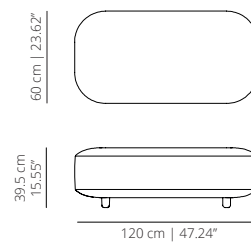
CO180HP

bench 180HP | bench 70 ⁵⁵/₆₄



CO120L

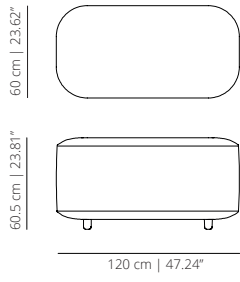
bench 120L | bench 47 ¹/₄



COMMON BENCH

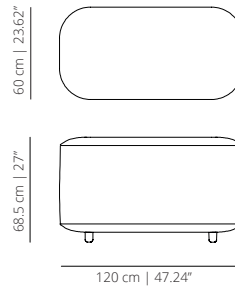
CO120H

bench 120H | bench 47 ¼



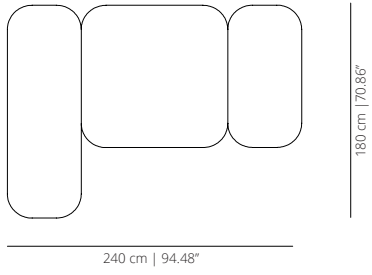
CO120HP

bench 120HP | bench 47 ¼

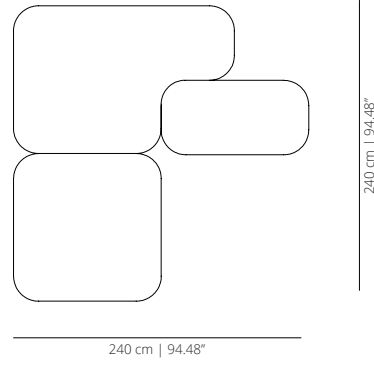


SUGGESTIONS

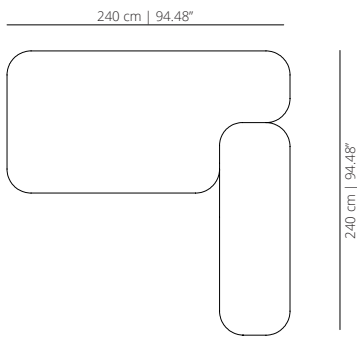
COMPOSITION 1



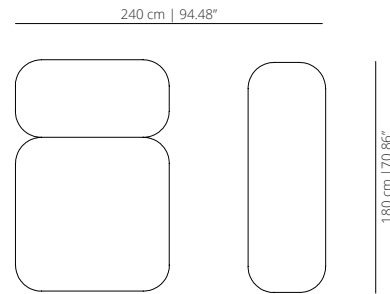
COMPOSITION 2



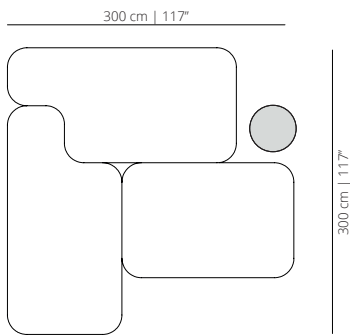
COMPOSITION 3



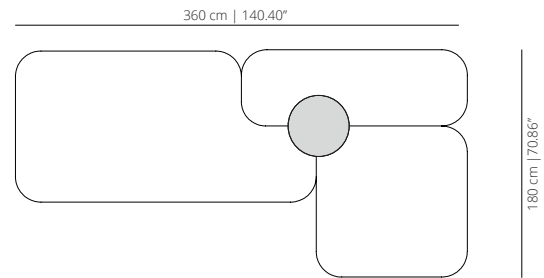
COMPOSITION 4



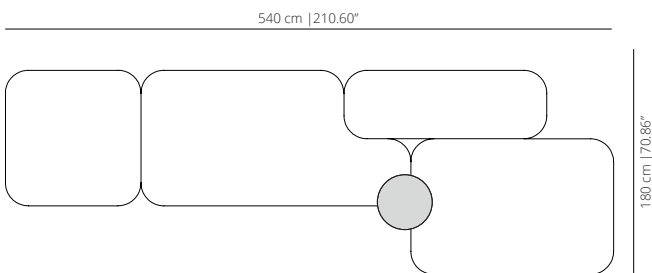
COMPOSITION 5



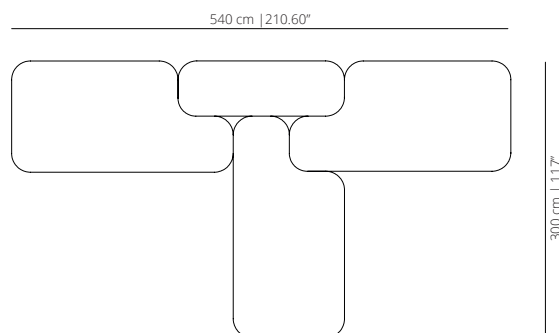
COMPOSITION 6



COMPOSITION 7

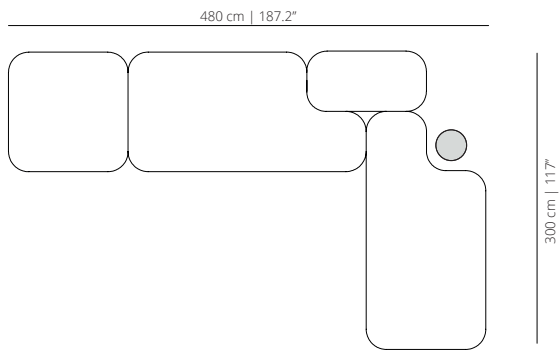


COMPOSITION 8



SUGGESTIONS

COMPOSITION 9



FINISHES

SEAT / BACKREST

Upholstery

Check upholstery samples.

LEGS

Stained



Natural
beech

TECHNICAL INFO

Seat – Interior structure in solid wood and perforated top of microparticles low in formaldehyde. We use PEFC certified wood Expanded polyurethane foam in different densities. Polyester fibre covering. Fabric, not produced in leather.

Legs – Legs in solid oak wood with the finishes of our collection.

NOTE: Available for the benches, felt glides. If not indicated, the benches will be produced with plastic glides.

CERTIFICATIONS

ANSI BIFMA X5.4-2012 (H 39.5 cm)



viccarbe