



# Nagi

BY TOMOYA TABUCHI

# Nagi

BY TOMOYA TABUCHI

Technical Info EN

2015



Elegant armchair born to be a classic.

The studied dimensions and the subtle steel structure (available in two versions, fix or rocking), make NAGI a new icon in the VICCARBE collection.

Very comfortable thanks to its generously high back that supports the user's head and elegant arms that are perfect to rest on while reading or working.



## Tomoya Tabuchi

Tomoya Tabuchi, born in 1974, graduated in living design at Kuwasawa Design School in 1997.

After working at Japanese furniture firm on the planning, designing original products, developing products designed by overseas designers, he became independent in 2010.

In 2011, Tee table was debuted from INTERIORS (*Japanese firm [www.interiors-inc.jp](http://www.interiors-inc.jp)*) as his first design after independence.

His activity includes designed products, graphic design and art direction.

Awards:

2007 - Premio Vico Magistretti , shortlist for prize

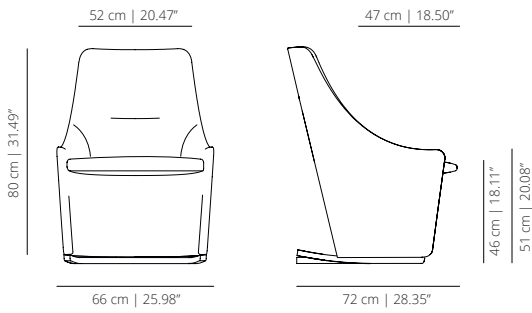
2012 - ELLE DECOR Young Japanese Design Talent

2014 - Good Design Award / Japanese Furniture Selection " TWIG "

## ARMCHAIR LOW BACKREST

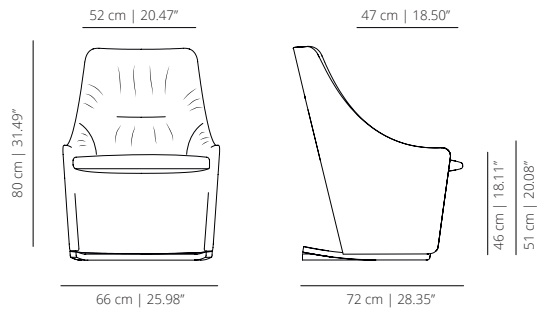
### NAGIB | NAGIBM

armchair fixed smooth upholstery | armchair rocking smooth upholstery



### NAGIBS | NAGIBSM

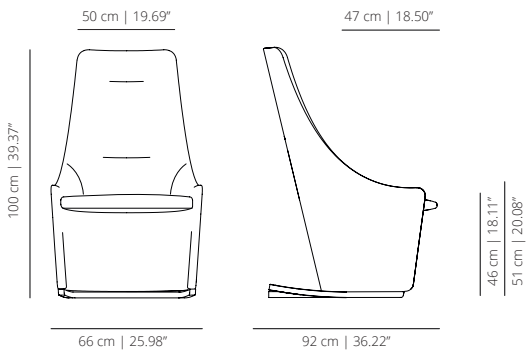
armchair fixed soft upholstery | armchair rocking soft upholstery



## ARMCHAIR HIGH BACKREST

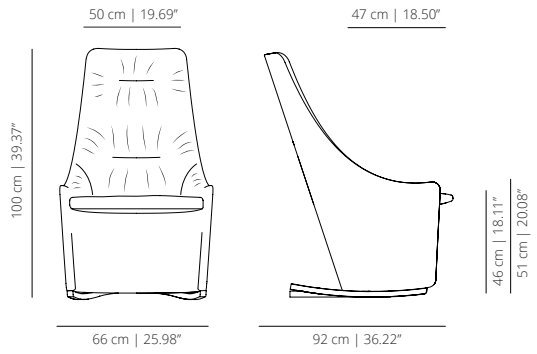
### NAGI | NAGIM

armchair fixed smooth upholstery | armchair rocking smooth upholstery



### NAGIS | NAGISM

armchair fixed soft upholstery | armchair rocking soft upholstery

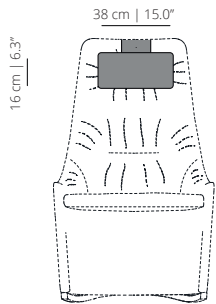


## ACCESSORIES

---

### **NAGIRE** headrest

Accessory that adapts perfectly to the shape of the chair and the height of the user. It makes it possible to enhance comfort for situations that require prolonged sitting. Requires no installation. Available for the high chair in all fabrics of our collection.



## FINISHES

---

### Upholstery

Check upholstery samples.

### STRUCTURE

---



brass

### Powder coated



white  
RAL 9003



black  
RAL 9005



altea blue  
RAL 5000



fluor orange  
RAL 2005

## TECHNICAL INFO

---

Internal steel tube and sheet structure with undeformable moulded Fire Retardant polyurethane foam. (Certificates CAL117 and CL 1 IM). Fabric or leather.

**Inferior structure**– (fixed and rocking) in calibrated steel tube with brass finish or powder coated in thermoreinforced polyester, in black, white, altea blue and fluorescent orange. Nylon glides.

## CERTIFICATIONS

---

ANSI BIFMA X5.1-2011 and UNE EN 16139:13

